

MEDIUM LOCAL INTERFACE MODULE M-LIM

Description

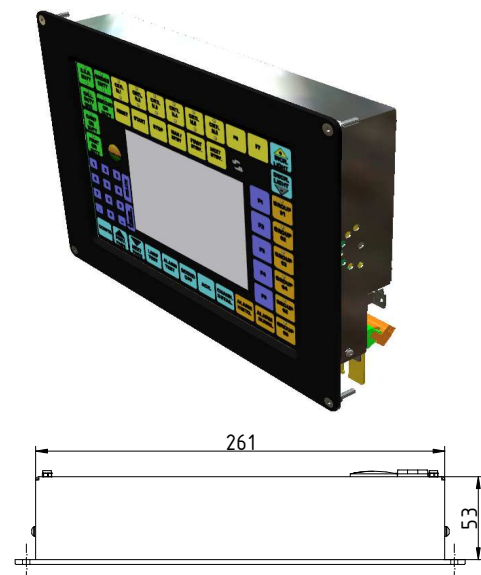
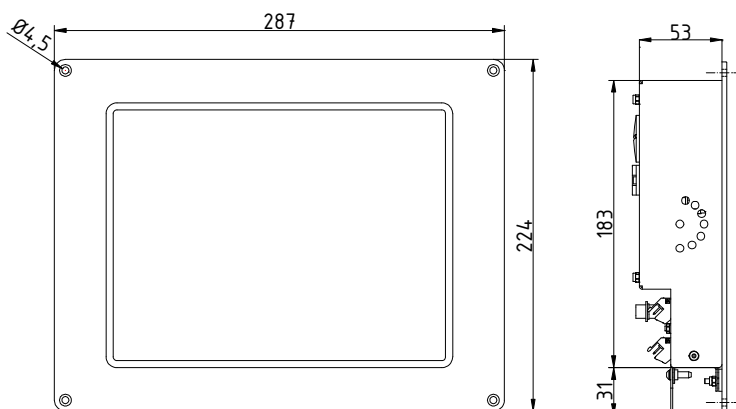
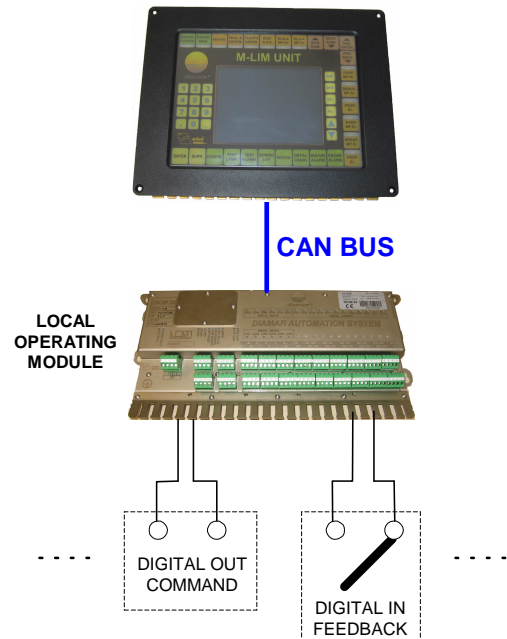
The local interface panel, M-LIM, is a monitoring local unit, part of SEDNI's DIAMAR® Automation System.

The M-LIM can be connected to the local acquisition units (LOM) and work as a remote station where all monitoring and control functions are available for the operator.

This module is provided with 3 CAN-BUS lines (triple redundancy) to ensure a safer and more reliable communication.

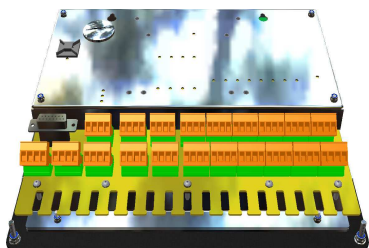
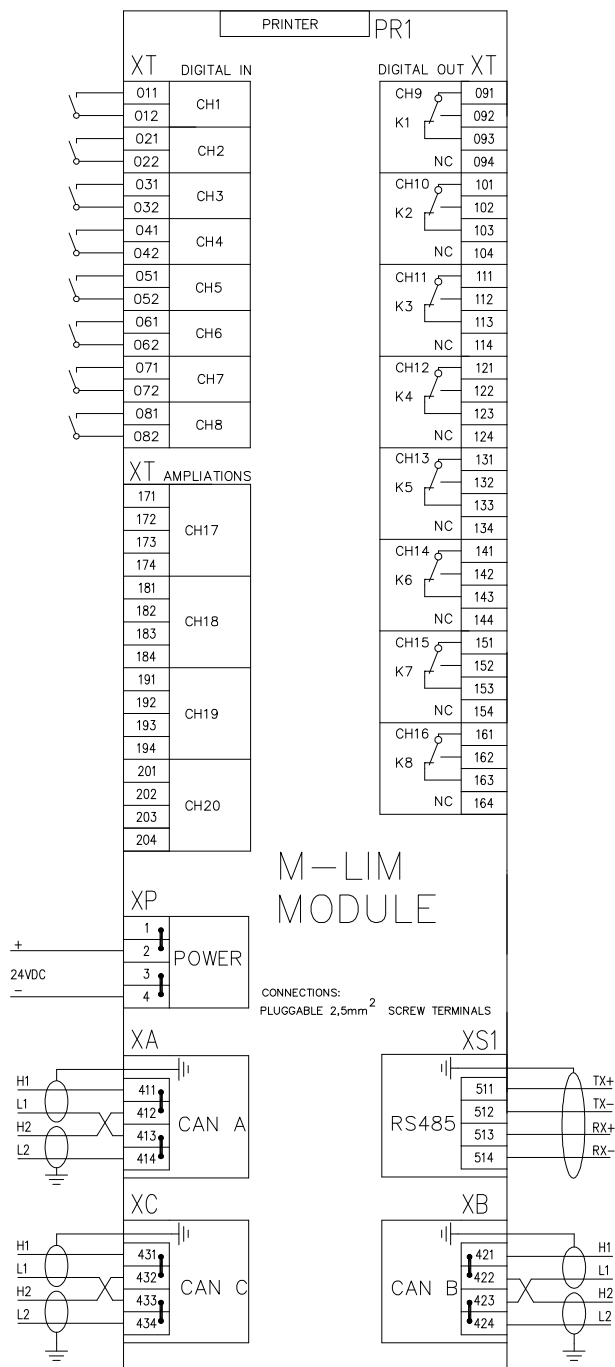
The panel is designed to access in a comfortable and intuitive way to machinery information.

M-LIM is prepared to work in the hardest environmental conditions, complying with the rules of the main Class Societies as: DNV, BV, GL, LR, ABS, RINA...



\\Servarch\Auto\Catalogos\Datashheet DIAMAR\Datashheet en Ingles\CAT-40110-005-E-(En)\Datashheet M-LIM (05.02.2009)

Connection Drawing



Specification

- ✓ **8 digital inputs.**
- ✓ **8 digital outputs.**
- ✓ **Alarm printer connection.**
- ✓ **Operational touch screen.**
- ✓ **Retroilluminated dedicated keyboard.**
- ✓ **Retroilluminated data LCD screen.**
- ✓ **Integrated sensor for temperature monitoring in PCB.**
- ✓ **Voltage monitoring in microprocessor.**
- ✓ **Suitable for direct mounting in engine room units (in cabin or console). Possibility to be mounted on engines, etc... (4G).**
- ✓ **Prepared to be installed directly in the Main Switch Board and starters.**
- ✓ **Galvanic Isolation between power, process and inputs/outputs.**
- ✓ **Power supply: 18 – 36 VDC**
- ✓ **Max. Power consumption: 8 W**
- ✓ **Working temperature: +5°C/+70°C**
- ✓ **Storage temperature: -20°C/+80°C**
- ✓ **Relative Humidity: 95%**
- ✓ **3 CAN BUS lines.**
- ✓ **2 RS422/485 serial lines.**
- ✓ **Easy assembly with screws (built-in assembly) or with arm holder (standard VESA).**
- ✓ **Size: 287 x 224 x 55 mm**
- ✓ **Weight: 2,60 Kg.**

\\Serverch\Auto\Catalogos\Datasheet DIAMAR\Datasheet en Ingles\CAT40110-005-E-(Esp)\Datasheet M-LIM (05.02.2009)