

# FL-ed Increased Safety Fluorescent Ceiling Light

IP67



**Application**  
Hazardous areas where flammable vapor, corrosive gases or moisture are present

**Protection degree** IP67  
Explosion degree : EEx ed IIC T5  
Standard : IEC 60079-0 and IEC 60079-1, IEC 60079-7  
Interlock switch : Exd IIC T6

**Materials**  
Body : Stainless steel sheet deep drawn  
Diffuser : Polycarbonate  
Latch : Stainless steel

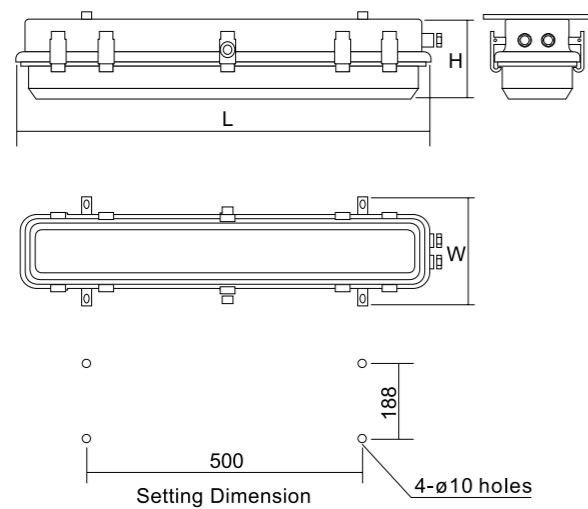
**Finish**  
Body : White epoxy powder coat and stove enamelled (Munsell No. N-9.3)

**Equipment**  
Fluorescent lamp : 20/40W  
Light sources : T32(One pin)  
Lamp base : Fa 6  
One and two cable glands : NPT 1/2" and NPT 3/4"  
Elastomer sealing gasket  
Permissible temperature : Max. -20°C

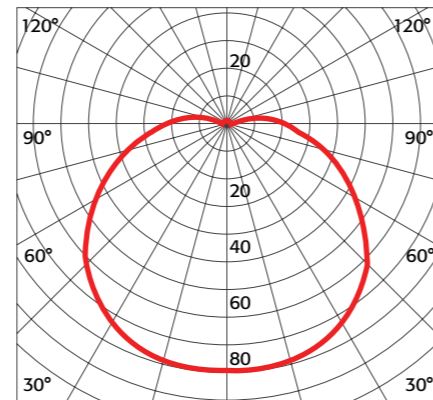
**Electrical**  
AC 100~240V, 50/60Hz are available on request  
Ballast : Rapid



■ Technical Drawing



■ Light Distribution Curve [Cd / 1000lm]



Specification

Model No.	Capacity	L(mm)	W(mm)	H(mm)	Weight(Kg)	Remarks
FL-220ed206G2	20W X 2	706	220	135	5.6	
FL-240ed206G2	40W X 2	1312	220	135	9.4	

# FL-edg Increased Safety Fluorescent Ceiling Light

IP67



**Application**  
Hazardous areas where flammable vapor, corrosive gases or moisture are present

**Protection degree** IP67  
Explosion degree : Ex demb IIC T5,  
Standard : IEC 60079-0 and IEC 60079-1, IEC 60079-7, IEC 60079-18  
Interlock switch : Exd IIC

**Materials**  
Body : Stainless steel sheet deep drawn  
Diffuser : Polycarbonate  
Latch : Stainless steel

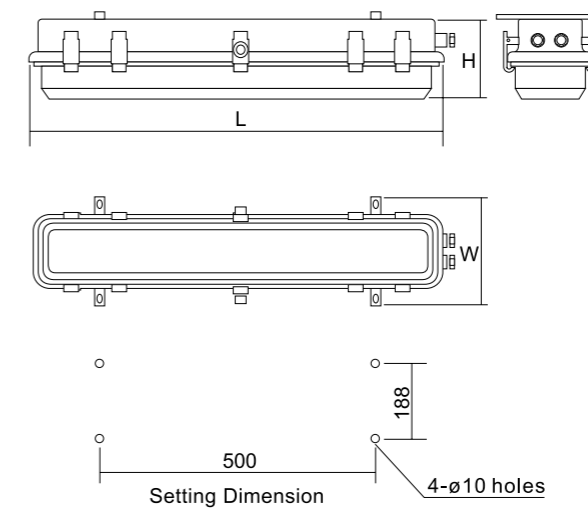
**Finish**  
Body : White epoxy powder coat and stove enamelled (Munsell No. N-9.3)

**Equipment**  
Fluorescent lamp : 18/36W  
Light sources : T26  
Lamp base : G13  
One and two cable glands : NPT 1/2" and NPT 3/4"  
Elastomer sealing gasket  
Permissible temperature : Max. -20°C

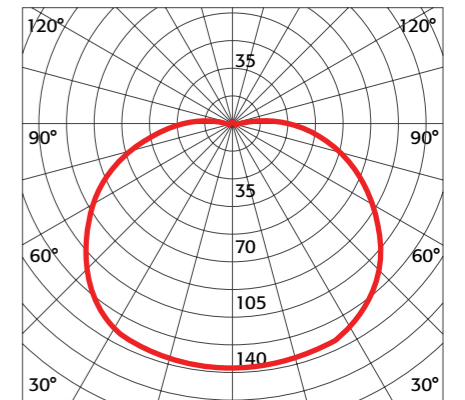
**Electrical**  
AC 100~240V, 50/60Hz are available on request  
Ballast : Electronic



■ Technical Drawing



■ Light Distribution Curve [Cd / 1000lm]



Specification

Model No.	Capacity	L(mm)	W(mm)	H(mm)	Weight(Kg)	Remarks
FL-220edg	18W X 2	706	220	135	4.95	
FL-240edg	36W X 2	1312	220	135	8.23	