

RLF 320 LED

LED

IP 66



IK08



-40 +50



- High color rendering index CRI 80
- Estimated service life 100000 hours
- With OVP, OCP, OTP protection
- Autonomous reactivation after recovery
- CCT4700K / other CCT on request

CONSTRUCTION

Enclosure: aluminum powder painted casting
 Diffuser: borosilicate glass,
 Accessories: assembly kit for wall, pipe and ceiling mounting
 Gasket: silicon

TECHNICAL DATA

Certificate:	FIDI 23 ATEX 0004
Marking:	CE 0722
Apparatus category:	II 2G II 2D
Marking of explosion protection:	Ex db eb op is IIC T4 Gb Ex tb op is IIIC T100°C Db
Ambient temperature ATEX:	-40°C ≤ T _a ≤ +40 / +50°C
Degree of protection:	IP 66 category 1
Resistance to shock:	IK 08
Protection class :	I (protective earthing)
Rated voltage:	110-240 V ±10%
Frequency:	50 / 60 Hz
Rated power:	250 W, 320 W
Connecting terminals:	L1, L2, L3, N; max. 2 x 2,5 mm ² PE terminal ; max 2x6mm ²
Cable entry:	Connection box [3L+N+Pe] and true wiring + ISO20 metal plug
Weight:	24 kg
Packing:	The packing contains: 1 pcs 650 x 300 x 450 mm

MOUNTING

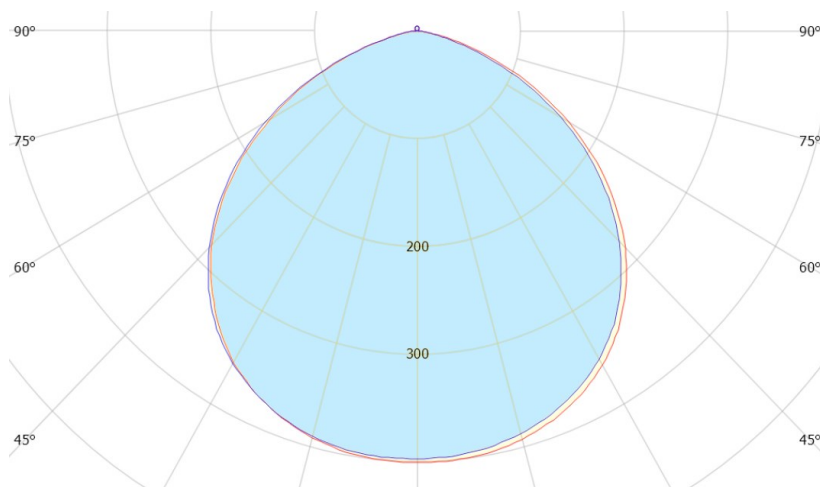
Wall, ceiling

LED Floodlight

MODEL CODE

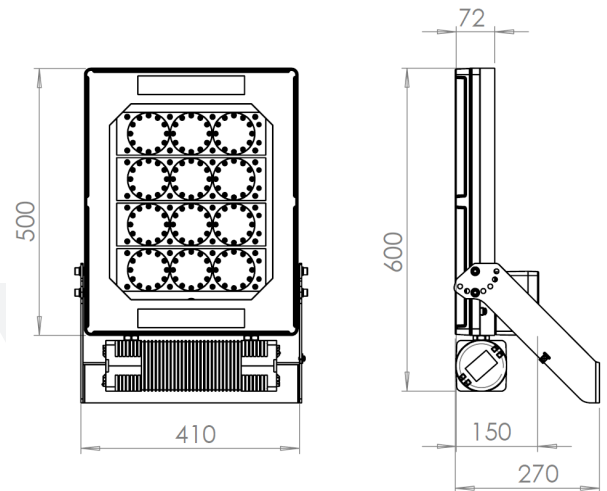
MODEL CODE	Power consumption [W]	Voltage [V]	Light fitting Luminous flux [lm]	System efficacy [lm/W]	AMBIENT TEMP.
RLF 320 LED-1	250 W	110-240V	27 000	110	-40°C ÷ +50°C
RLF 320 LED-2	320 W		34 500		-40°C ÷ +40°C

POLAR CURVE



cd/klm
 — C0/C180
 — C90/C270

DIMENSION DRAWING (mm)



SPARE PARTS AND ACCESSORIES

SKETCH	DESCRIPTION	CODE	SKETCH	DESCRIPTION	CODE
	Replacement glass	RLF LED 10-110		Wall/ ceiling mounting bracket	RLF LED 20-110
	LED module LEDEx 04	RLF LED 10-120		Pipe mounting set	RLF LED 20-120
	LED driver	RLF LED 10-130		Connection chamber, set	RLF 320 LED 10-140

All technical data is relevant at the time of print.