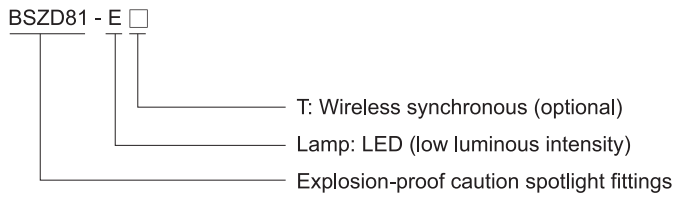


Local, Caution Spotlight Fittings BSZD81-E Series Explosion-proof Caution Spotlight Fittings

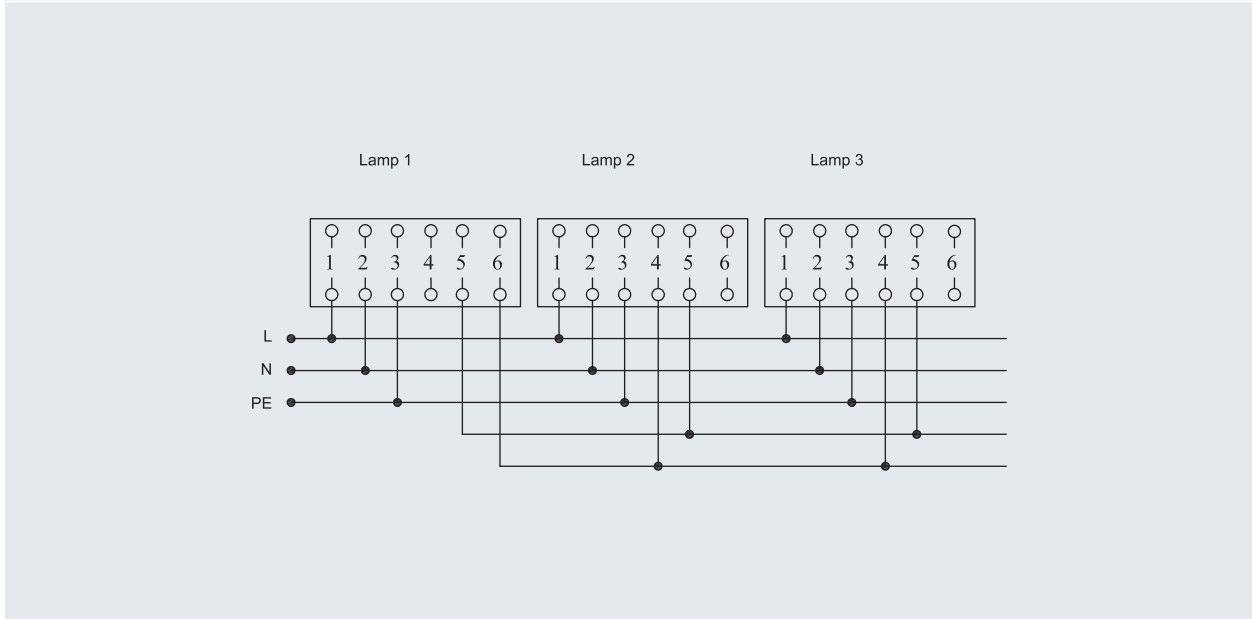


- ◆ Explosion protection to
 - CENELEC
 - IEC
 - NEC
- ◆ Can be used in
 - Zone 1 and Zone 2
 - Zone 21 and Zone 22
 - Class I, Zone 1 and Zone 2
 - Class I, Division 2, Groups A, B, C, D
- ◆ Ultra-bright LED lamp, low consumption and long service life up to 50,000 hours, integrated chip control with various circuit protection.
- ◆ Synchronous flashing of light fittings through signal lines.
- ◆ Enclosure in copper-free aluminium, powder coated surface, yellow (RAL1021).

Catalogue number logic



Wired sync connection diagram



Zones 1&2; 21&22

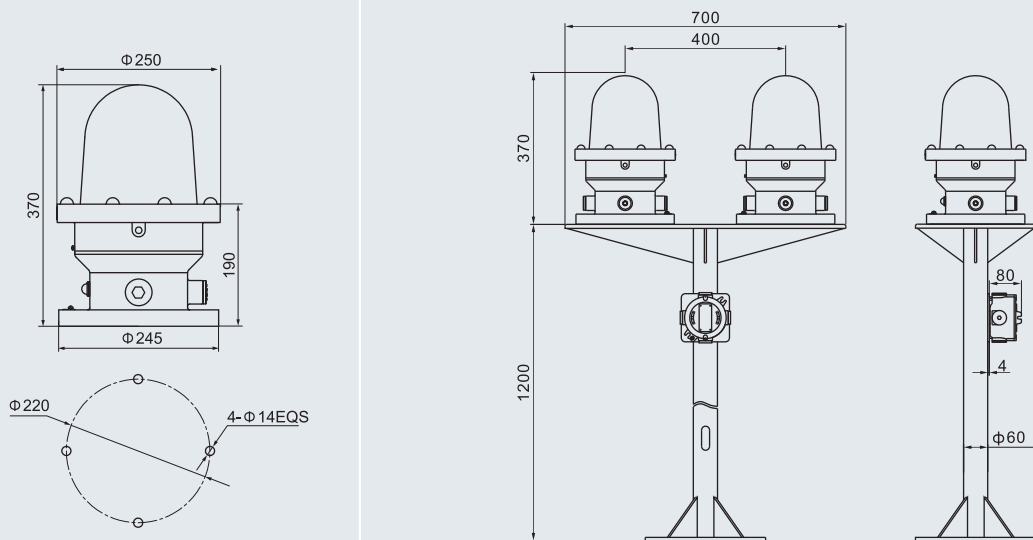
Local, Caution Spotlight Fittings

BSZD81-E Series Explosion-proof Caution Spotlight Fittings

Technical data	
Explosion-proof caution spotlight fittings BSZD81-E □	
Explosion protection	<p>Gas explosion protection $\text{Ex II 2 G Ex d e IIC T6 Gb}$</p> <p>Dust explosion protection $\text{Ex II 2 D Ex tb III C T80 C Db IP65}$</p>
Certificates	EUT 14 ATEX 1155; IECEx CQM 11.0026X; KZ.7500525.22.01.00380 (CU-TR)
Conformity to standards	EN 60079-0, EN 60079-1, EN 60079-7, EN 60079-31 IEC 60079-0, IEC 60079-1, IEC 60079-7, IEC 60079-31
Material	
Enclosure	Copper-free aluminium, powder coated surface, yellow (RAL1021)
Transparent cover	Toughened glass, stands 4J impact
Exposed fastener	Stainless steel
Rated voltage	100V, 110V, 120V, 127V, 220V, 230V, 240V AC 50/60Hz
Lamp	
Lamp specification	LED
Lamp power (W)	< 10W (continuous work)
Lamp colour	Red
Max. luminous intensity value	> 200cd
Flash frequency	16, 20, 30, 40, 60, 80, 120, 240 (times/min)
Earthing protection	M5 (internal & external earth bolts)
Degree of protection	IP65
Ambient temperature	-20°C~+55°C
Terminal	3 x 1.5~2.5mm ² (L+N+PE)
Cable entries	4 x M25 x 1.5 plugs
Cable gland (optional)	DQM-I (Ex e) is recommended. Please see P7/17~19.
Weight	10kg



Dimension drawings (all dimensions in mm) - subject to alteration



Drawings of main (spare) caution spotlight fittings

Note: The light fitting consists of two completely independent photoelectric control systems which can control the main and spare lamps respectively. Generally, the main lamp is used for night lighting, and it will be shut down automatically during the day. If the main lamp is damaged, the spare lamp will be started automatically to be substituted for main lamp.