

1020600700

## VMP-250

Wall Mounted Handset Waterproof



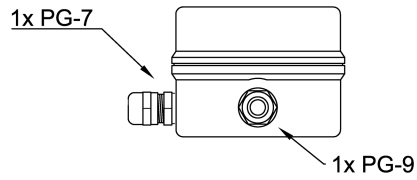
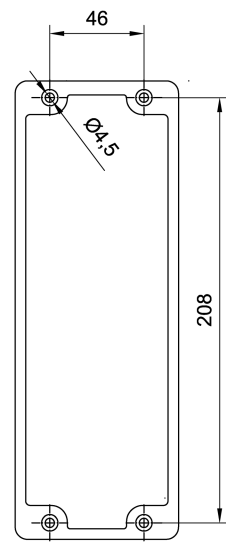
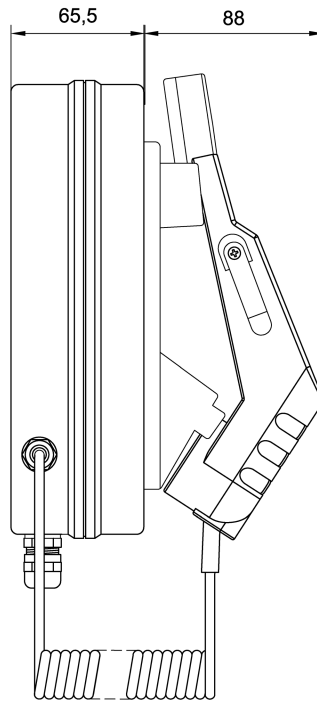
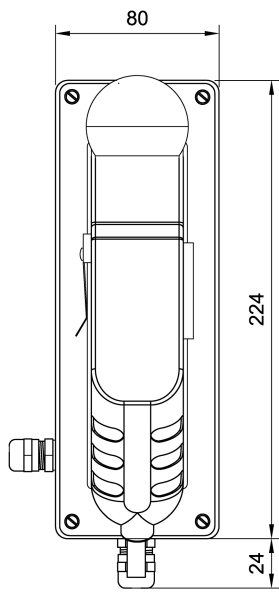
---

---

### Description

- ✓ Waterproof Heavy Duty Industrial Handset
- ✓ For use on Industrial Master Stations
- ✓ The built-in loudspeaker is disconnected when lifting the handset
- ✓ Includes push to talk key in handset

### Technical Dimensions



# Specifications

## GENERAL

|                         |  |
|-------------------------|--|
| Connections             | Screwterminals                                       |
| Material cabinet        | Flame retardant blend plastic housing                |
| Handset                 | RACAL RAH/B-75/4/M                                   |
| Cable inlet             | 1x PG-9  |
| IP class                | P-65   |
| Dimensions (WxHxD) (mm) | 98 x 242 x 153                                       |
| Usage temperature       | -40°C to +55°C                                       |
| Storage temperature     | -40°C to +70°C                                       |
| Humidity                | 5 cycles of 48 hours in accordance with MIL-STD-810, |

## Used With



VMP-530

Main Station Waterproof



VMP-503

Main Station With Loudspeaker



Industrial Substation

Heavy Duty



Industrial Master Station

Noise Cancelling



### Industrial Substation

Heavy Duty



### Industrial Master Station

Heavy Duty