

SNE Series



SNELR



SNEL

PRODUCT SPECIFICATION

SNELR | SNEL
SNE-S | SNE

Materials Lens-Tempered glass, filter-PC, Housing-Al, Protection cage-ST316L, Reflector-PC, Reflector-Heat resistant ABS

Ambient operating temperature

-40°C ≤ Tamb ≤ +60°C
-20°C ≤ Tamb ≤ +55°C(TIIS)

Explosive protection rating

IECEX, TIIS - Ex d IIC T6 Gb, IP66
ATEX - II2G Ex db IIC T6 Gb
 II2G Ex db op is IIC T6 Gb(with LED)
NEPSI, CCC - Ex db IIC T6 Gb, IP66
KCs - Ex d IIC T6 IP66

Certificates

IECEX, ATEX, NEPSI, KCs, CCS, CCC(F), TIIS, CCC

Housing standard color MUNSELL No. 7.5BG 7/2

Cable Entry 1/2" NPT

- Light weight and compact explosion proof signal beacon / light
- Excellent signal light diffusion effect with multi-faced reflector
- Aluminum housing provides excellent durability
- Fully enclosed structure with protection rating of IP66
- Integrated housing and terminal box model

SNELR LED Revolving Warning Light

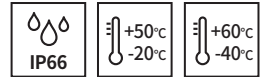
Model number	Voltage	Current	Certificates	Weight	Color
SNELR	DC12V	0.183A		3.15kg	<ul style="list-style-type: none"> ● R-Red ● A-Amber ● G-Green ● B-Blue
	DC24V	0.127A		3.15kg	
	AC110V	0.035A		3.85kg	
	AC220V	0.017A		3.85kg	

- Features high visibility in all directions with special concentrated LED light structure and multi side reflector
- Revolving speed: 120-140RPM

SNEL LED Steady/ Flashing Signal Light

Model number	Voltage	Current	Certificates	Weight	Color
SNEL	DC12V-24V	Max.0.125A		3.65kg	<ul style="list-style-type: none"> ● R-Red ● A-Amber ● G-Green ● B-Blue
	AC110V	0.035A		4.30kg	
	AC220V	0.020A		4.30kg	

- Long-lasting high intensity LED light source, Suitable for applications where bulb replacement is hard
- Built-in steady/flashing selection switch
- Flashing rate: 60-80 flashes/min



SNE-S Xenon Lamp Strobe Signal Light

Model number	Voltage	Current	Bulb			Certificates	Weight	Color
			Spec	Standard	Parts no			
SNE-S	DC12V-24V	Max.0.435A	200V -550V	EUB0641 -1A(G) U type	48		3.60kg	● R-Red
	AC110V	0.075A						● A-Amber
	AC220V	0.060A						● G-Green

- Lamp connector fastening structure allows for convenient lamp replacement
- Excellent long-distance visibility with strong flashing signal diffusion
- Flashing rate: 60-80 flashes/min



SNE-S

SNE Bulb Revolving Warning Light

Model number	Voltage	Current	Bulb			Certificates	Weight	Color
			Spec	Standard	Parts no			
SNE	DC12V	1.545A	12V15W	G23 15S	17		3.25kg	● R-Red
	DC24V	0.766A	24V15W	G23 15S	18			● A-Amber
	AC110V	0.204A	12V15W	G23 15S	17			● G-Green
	AC220V	0.102A	12V15W	G23 15S	17			● B-Blue

- Excellent signal light diffusion effect with multi-faced reflector
- Revolving speed: 120-140RPM

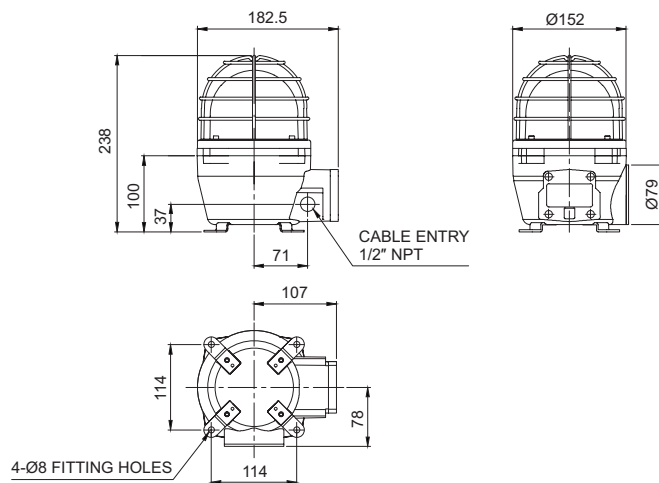


SNE

Technical Diagram

Units: mm

·SNELR / SNEL / SNE-S / SNE



Ordering Specification

SNE	-	220	-	R	-	IECEx
[Model number]		[Voltage]		[Color]		[Certificates]
SNELR		12-DC12V		● R-Red		IECEx
SNEL		24-DC24V		● A-Amber		ATEX
SNE-S		12/24-DC12V-24V(SNEL, SNE-S)		● G-Green		KCs
SNE		110/220-AC110V-220V		● B-Blue		TIIS
						CCC(NEPSI)

Customization

- Explosion proof cable gland attached type available(Standard type does not provide explosion proof cable gland)
- 2 ways cable entry
- Customized cable entry (M20×1.5) available