



## **ZYT08/12 Bedside Lamp**

---

### **The scope of application**

The products are designed as bedside lamp to use at the living room in ship cabin.

### **Products feature**

1. The shell of light is made of good quality cold rolled steel sheets by compression molding.
2. The shade of light adopt the figure oral poly carbonate injection molding.
3. This light can be equipped with switch and socket device
4. The cable outside diameter is ?6-?8mm

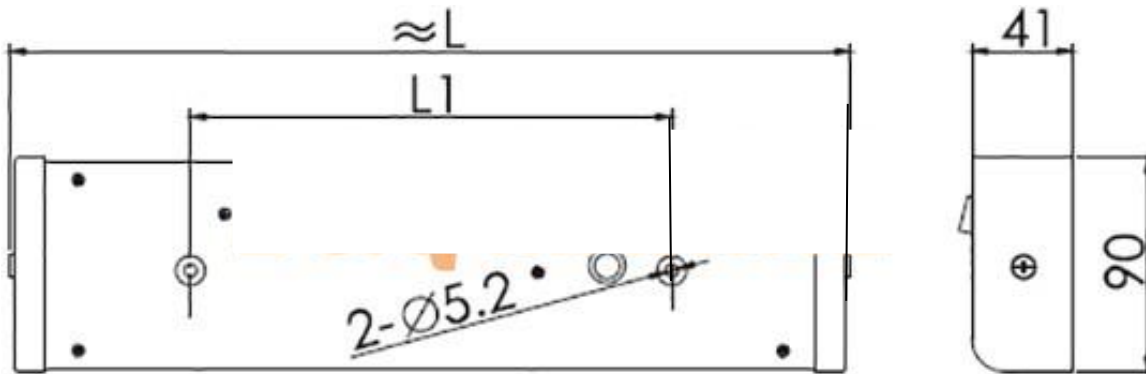
### **Adopt standard and product certification**

1. Conform to standard of IEC60598-1-2008.
2. Conform to RULES FOR CLASSIFICATION OF SEA-GOING STEEL SHIPS.

3 .Approved by CHINA CLASSIFICATION SOCIETY (CCS).

4. Passed the European Union (CE) certification.

## Installation



## ZYT08/12 Bedside Lamp Specification

Type	ZYT08-1	ZYT12-1
L(mm)	347	488
L1(mm)	194	350
Power	8W	12W
Weight(kg)	0.92	1.3
Voltage/Frequency	110V/60HZ,220V/60HZ,220V/50HZ	
Lamp Holder	G5	
Protection Class	IP34	