

THERMOCOUPLE INPUT MODULE TIM28

Description

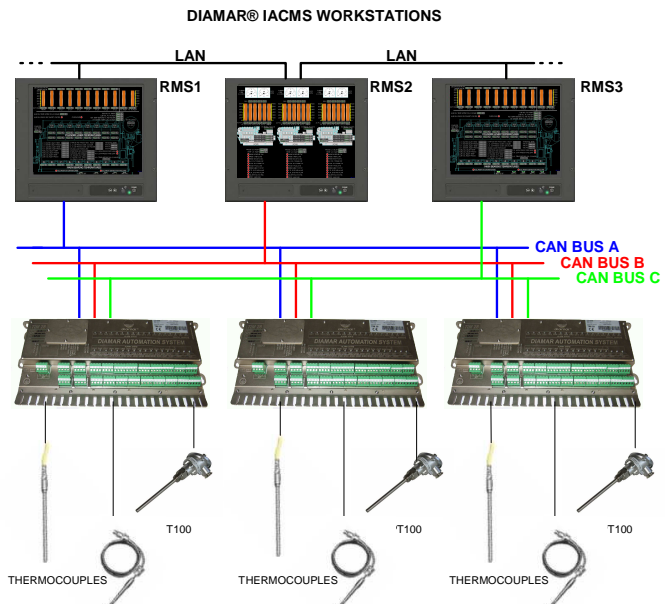
The Thermocouple Input Module, TIM28, is a local acquisition module for thermocouple input signals, part of SEDNI's DIAMAR® Automation System.

This module can work with different types of thermocouple sensors, as type: J, K, E, T, N, R, S or B and a PT100 input (for temperature compensation).

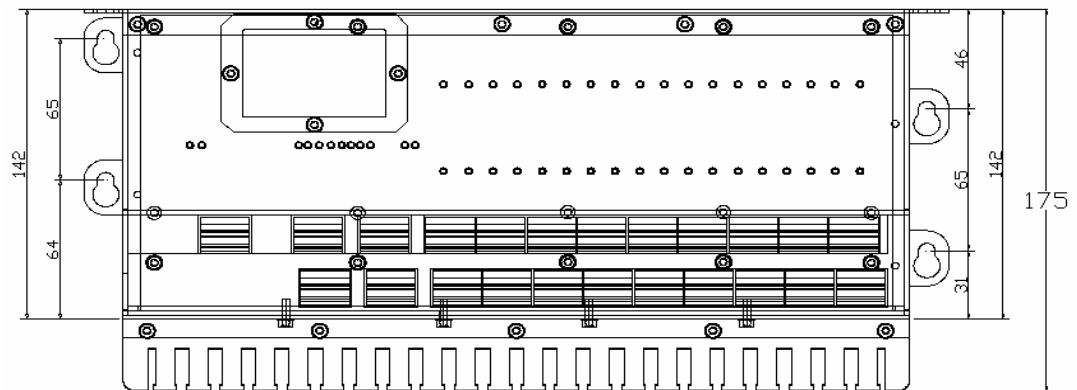
Signals are processed internally and transferred through 3 CAN-BUS lines (triple redundancy) to the Remote Stations where all monitoring and control functions are available for the operators.

This module can work as stand alone exhaust gas calculation unit.

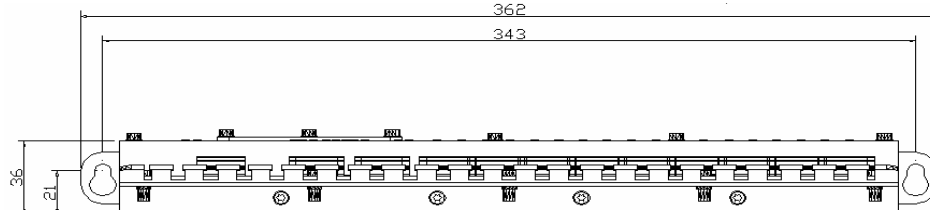
TIM28 is prepared to work in the hardest environmental conditions, complying with the rules of the main Class Societies as: DNV, BV, GL, LR, ABS, RINA...



Top View
(Horizontal
mounting)

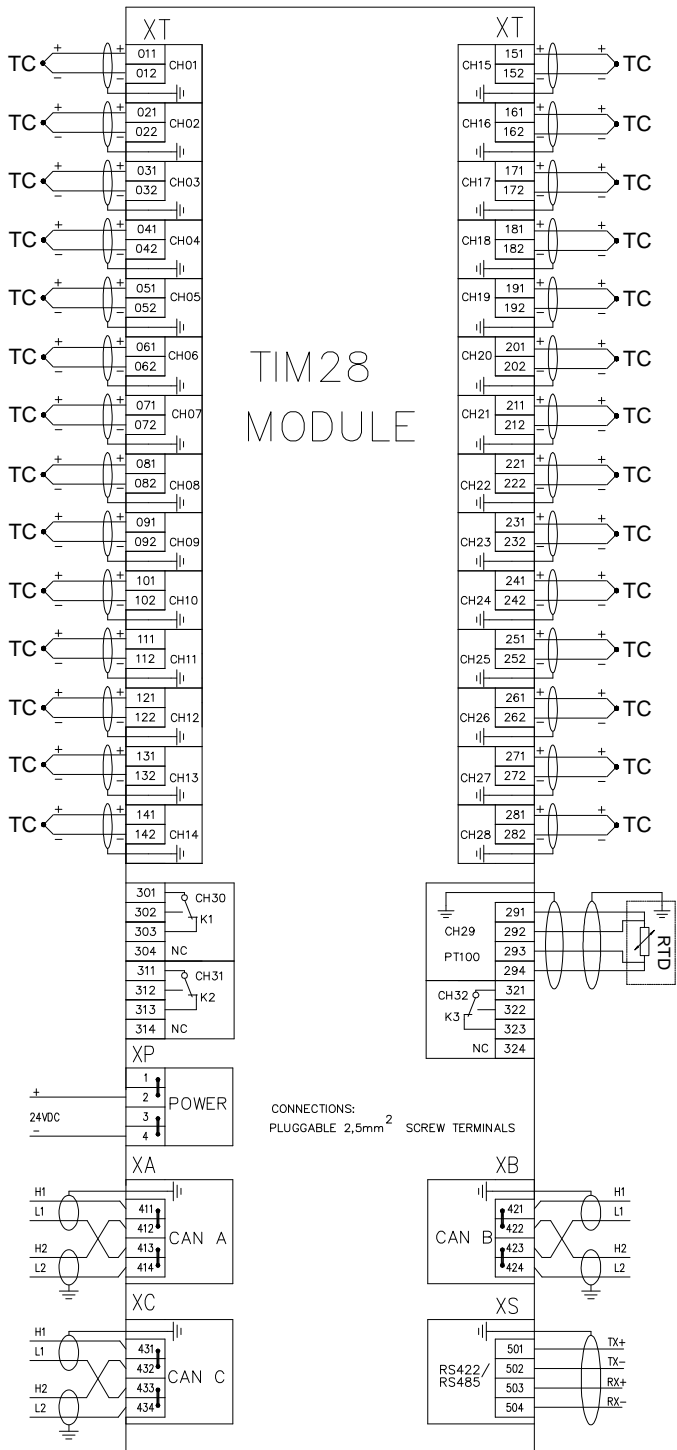


Front View
(Vertical
mounting)



\\Serverch\Auto\Catalogos\Datashheet DIAMAR\Datashheet en Ingles\CAT-40110-007-E-(En)\Datashheet TIM28 (05/03/2009)

Connection Drawing



Specification

- ✓ Analog inputs: 28 thermocouple channels and 1 PT100 channel.
- ✓ 3 digital outputs channels.
- ✓ Integrated sensor for temperature monitoring in PCB and for temperature compensation.
- ✓ Voltage monitoring in microprocessor.
- ✓ Suitable for direct mounting in engine room units (in cabin or console). Possibility to be mounted on engines, etc... (4G).
- ✓ Prepared to be installed directly in the Main Switch Board and starters.
- ✓ Galvanic Isolation between power, process and inputs/outputs.
- ✓ LED status indication.
- ✓ No jumper or switch channel configuration.
- ✓ Sensor excitation from module.
- ✓ Cold junction compensation.
- ✓ Power supply: 18 – 36 VDC.
- ✓ Max. Power consumption: 8 W
- ✓ Working temperature: -25°C/+70°C
- ✓ Storage temperature: -40°C/+80°C
- ✓ Relative Humidity: 95%
- ✓ 3 CAN BUS lines.
- ✓ 1 RS422/485 line.
- ✓ Vertical or horizontal mounting with screws.
- ✓ Size: 175 x 362 x 36 mm
- ✓ Weight: 1,30 Kg.

\\Servarchi\Auto\Catalogos\Datasheet DIAMAR\Datasheet en Inglés\CAT40110-007-D-(Esp)\Datasheet TIM28 (27/01/2009)