

INFORMATION SHEET

DESCRIPTION

The LPS800 MX addressable device provides a loop-powered controllable output that can supply up to 75mA to 24V rated load devices, such as sounders, relays, etc. It also provides supervision of the wiring to the loads. Therefore each load device must have an integral series diode, or one must be fitted externally to allow the reverse voltage supervision to work. A 22k End of Line Device (ELD) resistor is required.

The wiring to the load devices can be arranged as a spur (Class B), or as a loop (Class A) so that an open circuit does not stop operation of the devices.

MOUNTING

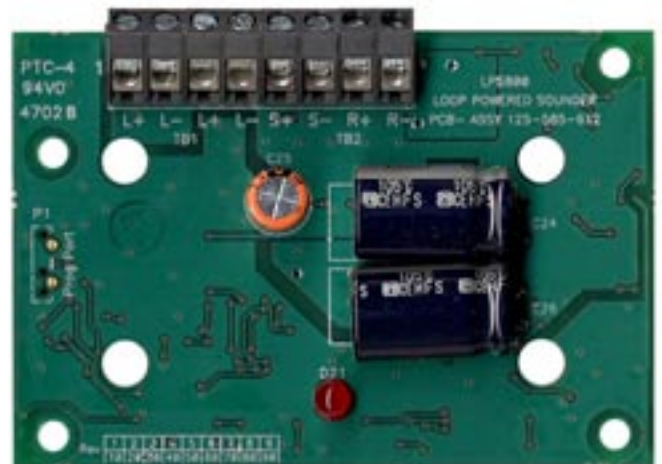
The LPS800 is supplied as an open circuit board (PCB) with mounting hardware and End of Line (EOL) resistor. It must be fitted in a suitable enclosure. It may be mounted on a gear plate using plastic standoffs, to an M520 Ancillary Cover and K2 142 back box, or into the D800 Ancillary Housing. The K2 142 mounting box provides a convenient surface mounting enclosure and the M520 Cover is designed to accommodate the LPS800.

ADDRESS SETTING

The LPS800 is shipped with a default (invalid) address of 255 and must be set to the correct loop address using the 801AP MX Service Tool.

OPERATION

The on-board LED operates when the output is activated. It can also be programmed to blink when the LPS800 is polled by the c.i.e.



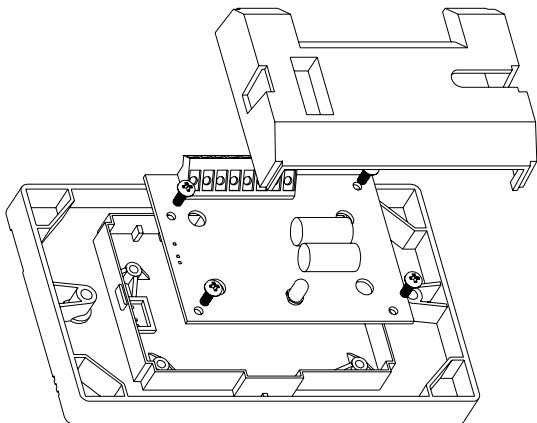
SPECIFICATIONS

Loop Voltage ¹	20V to 40Vdc
Quiescent Current	450µA
Operated Current (<8mA load)	12mA
Operated Current (>8mA load)	Load Current + 4mA
Output Current ² (maximum)	75mA @ 24Vdc
Output EOL	22k Ohm 0.5W
Max. LPS800 per Loop ³	200/250
Ambient Temperature	-25°C to +70°C
Storage Temperature	-40°C to +80°C
Relative Humidity	10% to 95% (non cond.)
<i>Indoor Applications Only</i>	
Dimensions (HWD)	61 x 84 x 25 mm
Wire Size (maximum)	2.5sq. mm

Part Numbers

577.800.011	LPS800 PCB
M520	Ancillary cover
K2 142	Back box
557.201.401	D800 Ancillary Housing

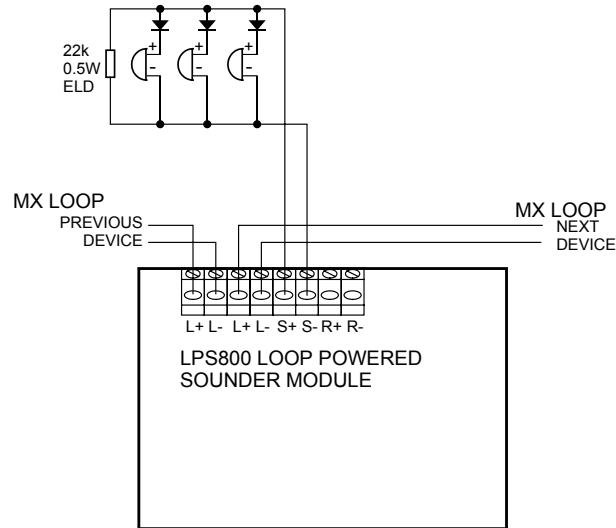
1. Addressable loop voltage provided by MX c.i.e.
2. Output current is for a resistive load.
3. MX4428/MX 1, 4 100MXP. Refer to appropriate manual: LT0273 (MXP), LT03 13 (4 100MXP), LT0360 (MX 1-NZ), LT0441 (MX 1-Au) for design specifications.



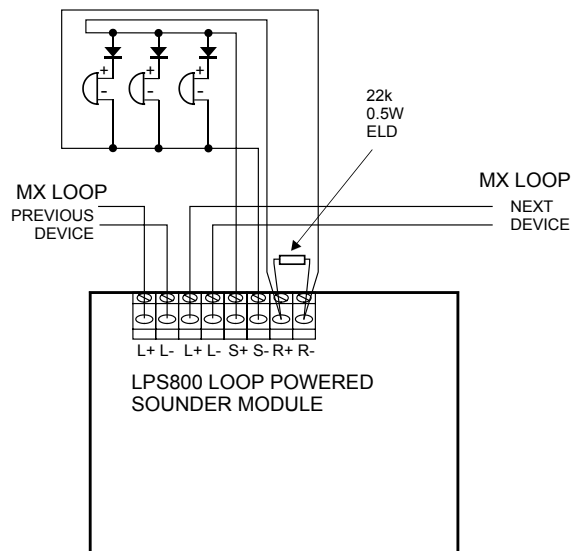
M520 Ancillary Cover, LPS800 PCB and cover

WIRING

The LPS800 load wiring must be electrically isolated from all other equipment (including other *MX* devices). Each load device must have a series diode inserted if it does not include a diode already.



Spur (Class B)



Loop (Class A)

www.tycosafetyproducts-anz.com

tyco / Safety Products

Tyco Safety Products, a division of Tyco Australia Pty Limited A.B.N. 80 008 399 004, reserve the right to alter specifications without notice, in line with Tyco's policy of continuing product improvement.