

3006202025

VMP-221

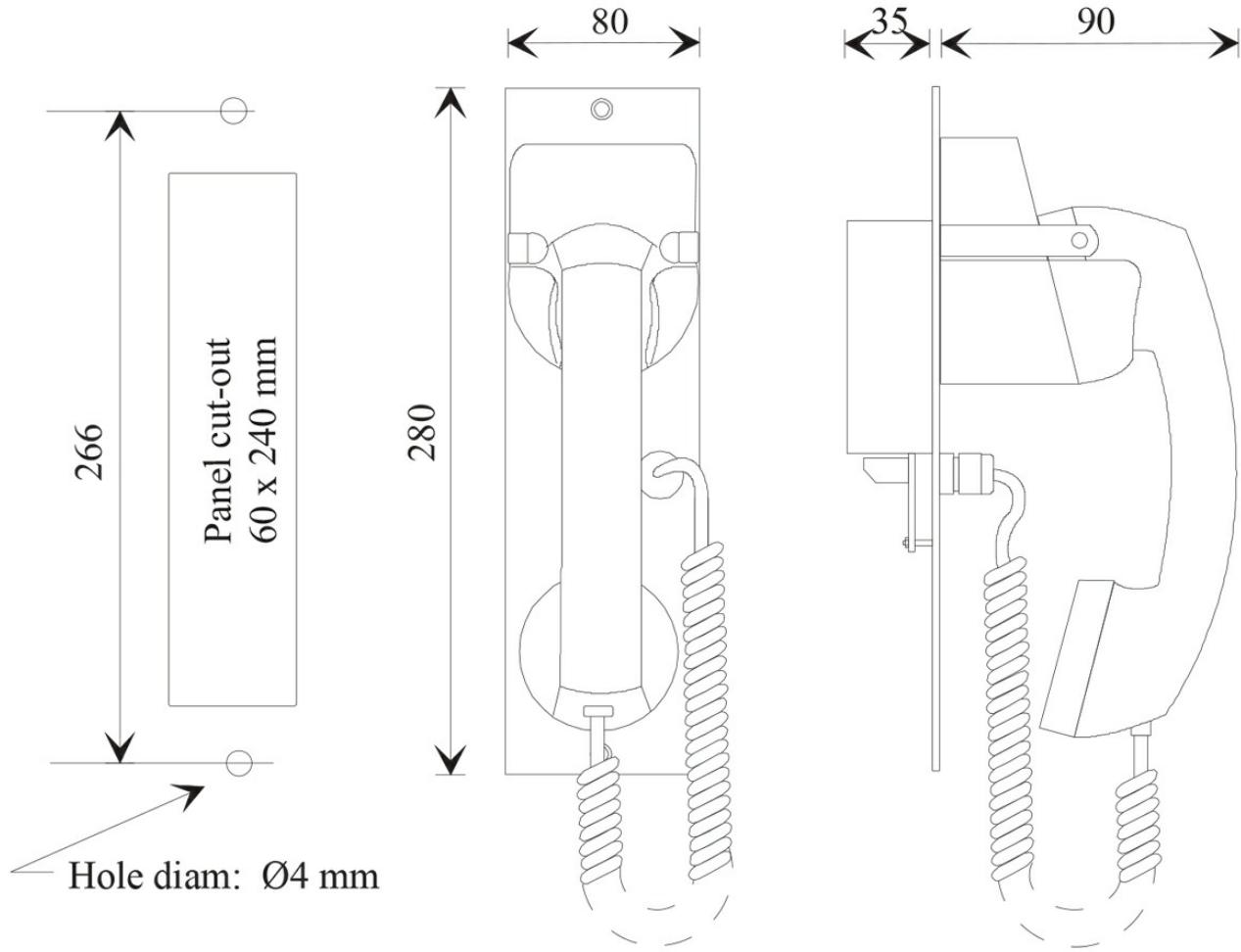
Handset For VMP-430



Description

- ✓ For use together with main station VMP-430
- ✓ Flush mounting
- ✓ Disconnected built-in loudspeaker in VMP-430 when off-hook

Technical Dimensions



Specifications

ORDER NUMBER	DESCRIPTION	SHIP WEIGHT
3006202025	VMP-221 Handset for VMP-430	0.65 kg

GENERAL

Connections	Screwterminals
IP class	IP-44
Dimensions (mm)	80W x 280W x 90D (w/handset)
Weight	0.65 kg