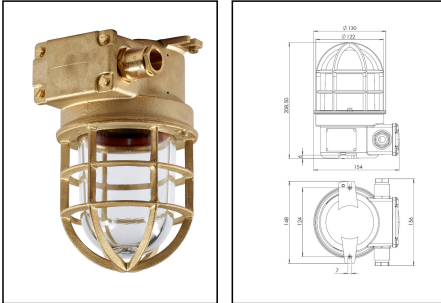



## Ex-525/D/2x24-Z14

Ex Light fitting with protection guard brass max. 60W 230V E27, IP66/67



Products may differ in size, colour and appearance to those shown. If you require further information or customisation, please contact us directly.



<b>WISKA-Order no.</b>	10109149
<b>Type</b>	Ex-525/D/2x24-Z14
<b>Material</b>	Brass
<b>Globe colour</b>	Clear
<b>Material guard</b>	Brass
<b>Voltage</b>	230 V
<b>Voltage max. (V)</b>	250 V
<b>Type of Voltage</b>	AC
<b>Frequence</b>	50/60 Hz
<b>Protection class</b>	IP66 / IP67
<b>Operational areas</b>	Outdoor, Explosion protection
<b>Temp. range min</b>	-40 °C
<b>Temp. range max</b>	55 °C
<b>Lampholder</b>	E27
<b>Number of lampholder</b>	1 ST
<b>Lightsource</b>	Incandescent lamp, LED, Fluorescent lamp
<b>Lightsource incl.</b>	No
<b>Type of cable gland</b>	M24x1,5 Z 14 / 12-14,5mm
<b>Material cable gland</b>	Brass
<b>Using for cable gland</b>	
<b>Type of cable</b>	armoured
<b>Ø cable diameter min</b>	12 mm
<b>Ø cable diameter max</b>	14,5 mm
<b>Mounting</b>	Upside, Upside down
<b>Approval</b>	IECEx EPS 17.0060X, EPS 17 ATEX 1 120 X

Your Contact:

WISKA Hoppmann GmbH

Kisdorfer Weg 28 · 24568 Kaltenkirchen · Germany

☎ +49-4191-508-0 · 📠 +49-4191-508-209

contact@wiska.de · www.wiska.com

<b>Zone</b>	21, 1
<b>Weight</b>	3,47 kg

Remarks:

Light fittings with protection guard,  
brass, 525, up to T6, max. 60W, IP66/IP67  
Ignition protection: de  
Explosion protection:  
II 2G Ex db eb IIB+H2 T6/T5/T4 Gb  
II 2G Ex db eb op is IIB+H2 T6 Gb (with LED)  
II 2D Ex tb IIIC T85°C/T100°C/T135°C Db  
II 2D Ex tb op is IIIC T85°C Db (with LED)  
Zone: 1  
Certificate: EPS 17 ATEX 1 120 X  
IECEX EPS 17.0060X  
Lampholder: E27  
Lamp: incandescent lamp up to 60W;  
fluorescent lamp up to 15W;  
LED lamp OSRAM LED SUPERSTAR CLASSIC A 60 DIM 9W/827 E27  
(not included in delivery)  
2 cable glands Ex-KVM24x1,5-Z14 -O-

**Recommended accessories**

<b>SP-Fluorescent lamp 15W 230V E27 840</b>	22000602
<b>SP-LED Lamp 9W 230V E27 827</b>	22000689
<b>SP-Incandescent lamp 60W 230V E27</b>	22000983

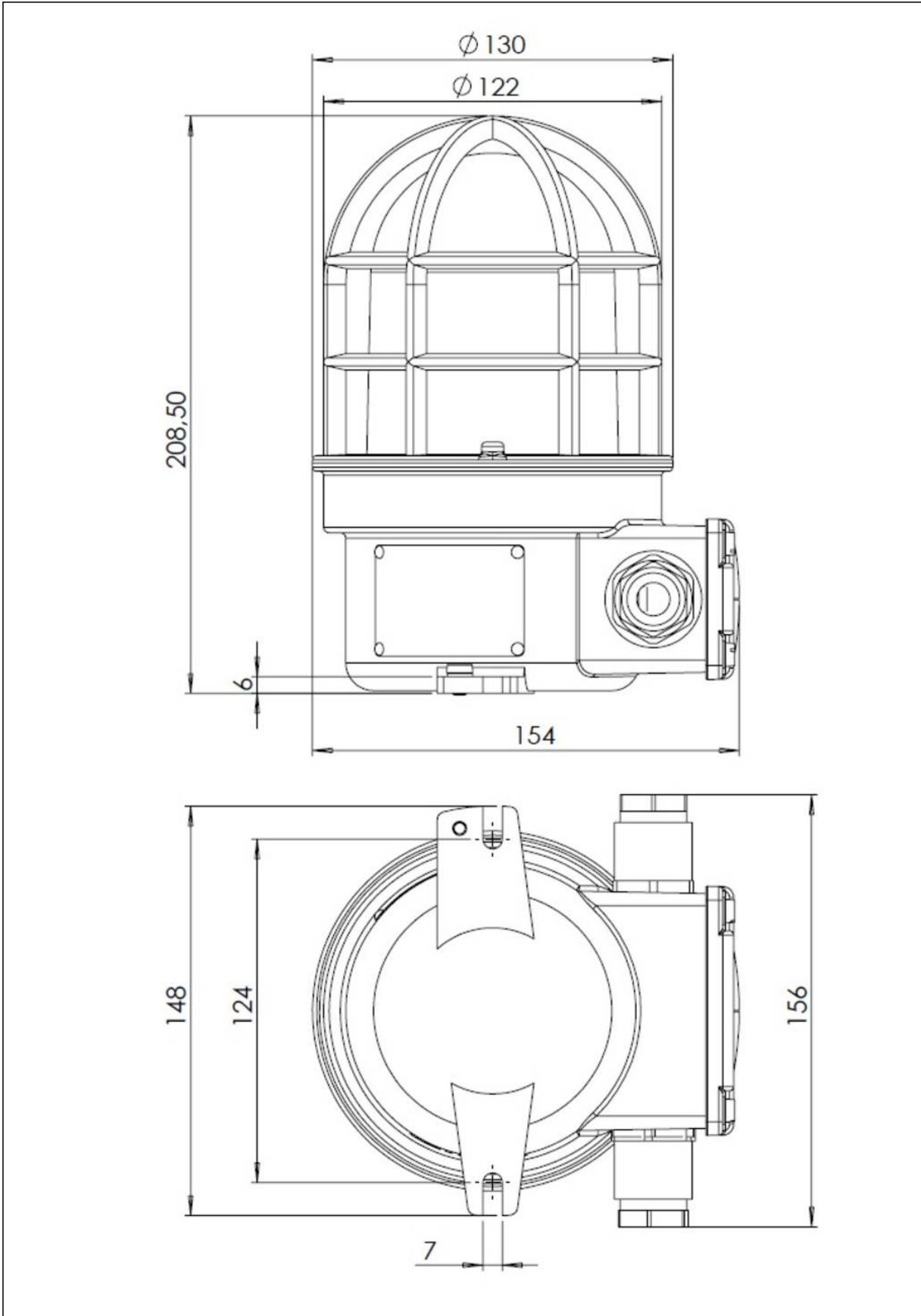
**Spare parts**

<b>SP-1974 Lampholder with 2 mounting feet</b>	22000192
<b>SP-525 Glass with protection guard</b>	22001003

09.11.2021

Your Contact:

**WISKA Hoppmann GmbH**  
Kisdorfer Weg 28 · 24568 Kaltenkirchen · Germany  
☎ +49-4191-508-0 · 📠 +49-4191-508-209  
contact@wiska.de · www.wiska.com



Your Contact:

**WISKA Hoppmann GmbH**

Kisdorfer Weg 28 · 24568 Kaltenkirchen · Germany

☎ +49-4191-508-0 · 📠 +49-4191-508-209

contact@wiska.de · www.wiska.com