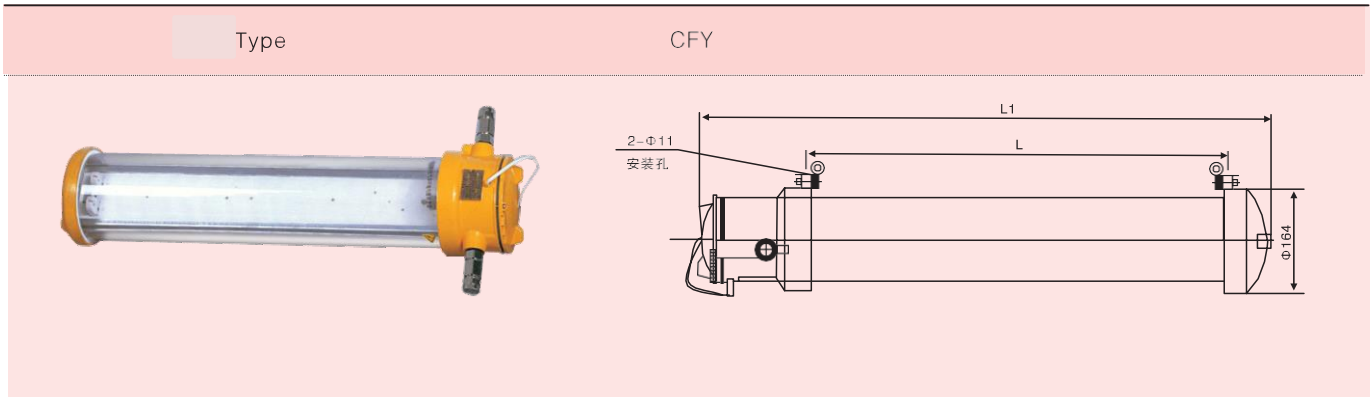


EXPLOSION PROOF FLUORESCENT PENDANT LIGHT



Specifications

型号 Type	防爆标志 Explosion-proof Mark	防爆合格证编号 Explosion-proof Quality certificate number	电压 Voltage	功率 Power	重量 Weight	L	L1
CFY20-2	Exd II CT6	CNE × 07.0731	110V/220V	20W × 2	7kg	556	775
CFY30-2	Exd II CT6	CNE × 07.0731	110V/220V	30W × 2	8kg		
CFY40-2	Exd II CT6	CNE × 07.0731	110V/220V	40W × 2	9kg	1166	1385
CFY20-1	Exd II CT6	CNE × 07.0731	110V/220V	20W × 1	7kg		
CFY30-1	Exd II CT6	CNE × 07.0731	110V/220V	30W × 1	8kg	861	1080
CFY40-1	Exd II CT6	CNE × 07.0731	110V/220V	40W × 1	9kg		

Remark: CFY series of explosion-proof lights can be used reliably in the dangerous explosive place (zone 1, zone 2) with temperature group T1-T6, also fit the operation illumination in corrosive area. The shell adopts stainless steel or cast aluminum, and transparent lampshade adopts glass or polycarbonate. They conform to IEC92-306-1980 standard, passed the examination of National Explosion-proof Test Center, and was approved by CCS (China Classification Society). The gland is copper, screw is M24 × 1.5, fit for armored cable φ14-φ18mm.

Adopt Standard: Conform to GRADE ENTRY NORMS FOR STEEL SHIPS and national standard GB3836, GB12045, EN50014, EN50018, EN60079.