

Product datasheet

Specifications



Harmony XB5, Complete buzzer, plastic, Ø22, continuous or intermittent tone, 24 V AC/DC

XB5KSB

Main

Range of product	Harmony XB5
Product or component type	Annunciator
Bezel material	Dark grey plastic
Mounting diameter	22 mm
Head type	Standard
Cap/Operator or lens colour	Black

Complementary

Supply circuit type	AC/DC
Supply frequency	50/60 Hz
Signalling type	Continuous or intermittent tone
Noise level	90 dB 6.8 kHz 0.1 m +/- 10 %
Resistance to high pressure washer	9000000 Pa at 80 °C, distance : 0.1 m
Height	29 mm
Width	29 mm
Depth	55 mm
Net weight	0.024 kg
Current consumption	<= 28 mA
[Us] rated supply voltage	24 V +/- 10 %

Environment

Protective treatment	TH
Ambient air temperature for storage	-40...70 °C
Ambient air temperature for operation	-40...70 °C
Overvoltage category	Class II conforming to IEC 60536
Electrical shock protection class	Class II conforming to IEC 60536
NEMA degree of protection	NEMA 4X NEMA 13

Standards	IEC 60947-5-1 EN 60947-1 EN 60947-5-1 EN 60947-5-4 CSA C22.2 No 14 IEC 60947-5-4 IEC 60947-1 UL 508 JIS C8201-5-1 JIS C8201-1 IEC 60529 EN 50102 IEC 50102
------------------	--

Product certifications	UL listed CSA BV
-------------------------------	------------------------

IP degree of protection	IP20 IP66 IP67 IP69 IP69K
--------------------------------	---------------------------------------

IK degree of protection	IK05 IK03
--------------------------------	--------------

Packing Units

Unit Type of Package 1	PCE
-------------------------------	-----

Number of Units in Package 1	1
-------------------------------------	---

Package 1 Height	2.800 cm
-------------------------	----------

Package 1 Width	3.000 cm
------------------------	----------

Package 1 Length	5.400 cm
-------------------------	----------

Package 1 Weight	28 g
-------------------------	------

Unit Type of Package 2	S01
-------------------------------	-----

Number of Units in Package 2	88
-------------------------------------	----

Package 2 Height	15.000 cm
-------------------------	-----------

Package 2 Width	15.000 cm
------------------------	-----------

Package 2 Length	40.000 cm
-------------------------	-----------

Package 2 Weight	2.696 kg
-------------------------	----------

Offer Sustainability

Sustainable offer status	Green Premium product
---------------------------------	-----------------------

REACH Regulation	REACH Declaration
-------------------------	-----------------------------------

EU RoHS Directive	Pro-active compliance (Product out of EU RoHS legal scope) EU RoHS Declaration
--------------------------	---

Mercury free	Yes
---------------------	-----

China RoHS Regulation	China RoHS declaration
------------------------------	--

RoHS exemption information	Yes
-----------------------------------	---------------------

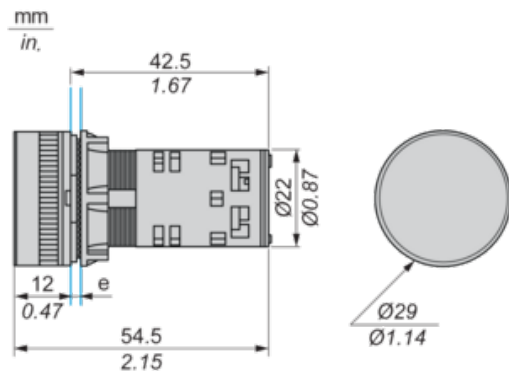
Environmental Disclosure	Product Environmental Profile
---------------------------------	---

WEEE	The product must be disposed on European Union markets following specific waste collection and never end up in rubbish bins
-------------	---

Contractual warranty

Warranty	18 months
-----------------	-----------

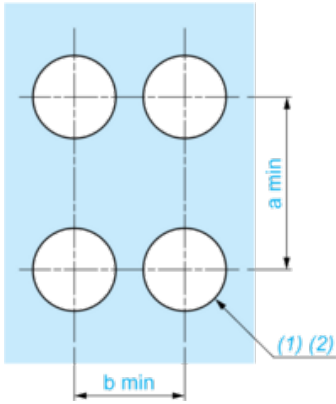
Dimensions



e: Clamping thickness: 1 to 6 mm / 0.04 to 0.24 in.

Panel Cut-out for Buzzer

Connection by Screw Clamp Terminals

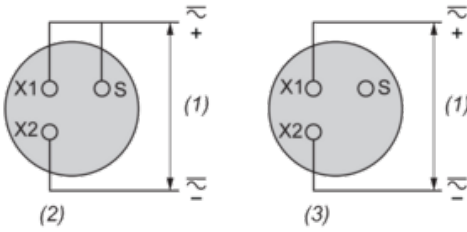


(1) Diameter on finished panel or support

(2) $\text{Ø}22.5 \text{ mm}$ recommended ($\text{Ø}22.3 \text{ }_0^{+0.4}$) / $\text{Ø}0.89 \text{ in.}$ recommended ($\text{Ø}0.88 \text{ in. }_0^{+0.016}$)

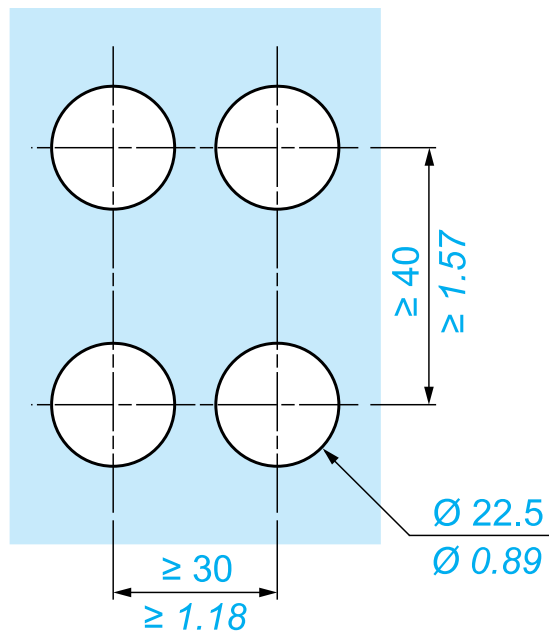
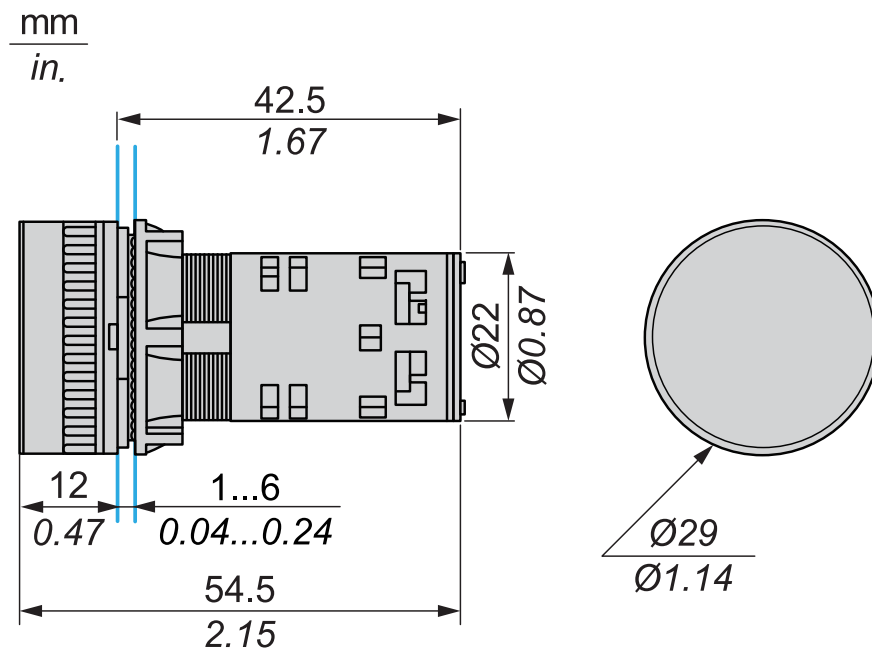
Connections	a in mm	a in in.	b in mm	b in in.
By screw clamp terminals or plug-in connector	40	1.57	30	1.18

Cabling of Annunciators

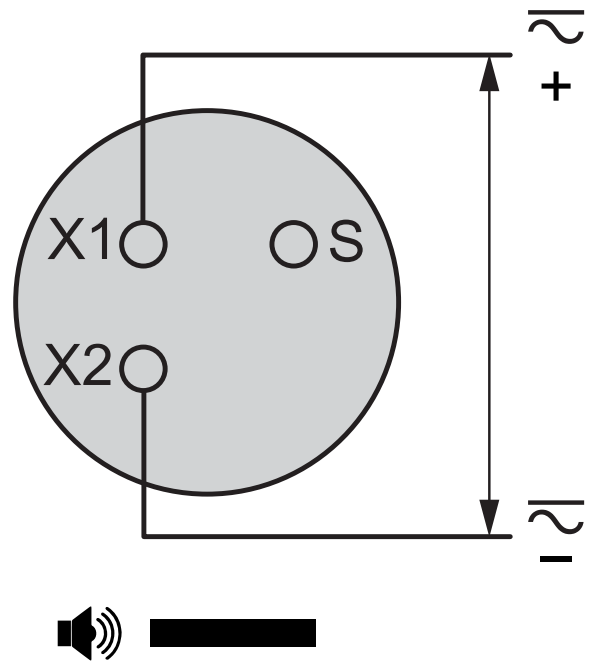
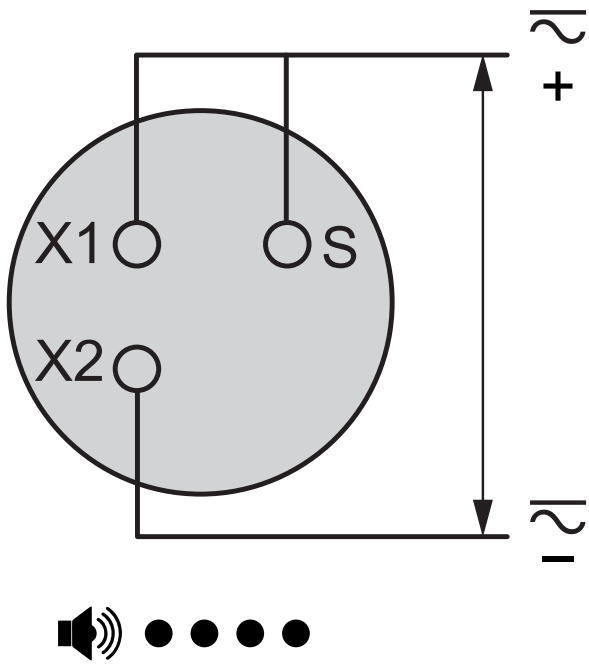


- (1) Supply
- (2) Intermittent
- (3) Continuous

Dimensions



Wiring Diagram



Recommended replacement(s)