

FL-WF Recessed Ceiling Light

IP44



Application
Galley, laundry

Protection degree IP44

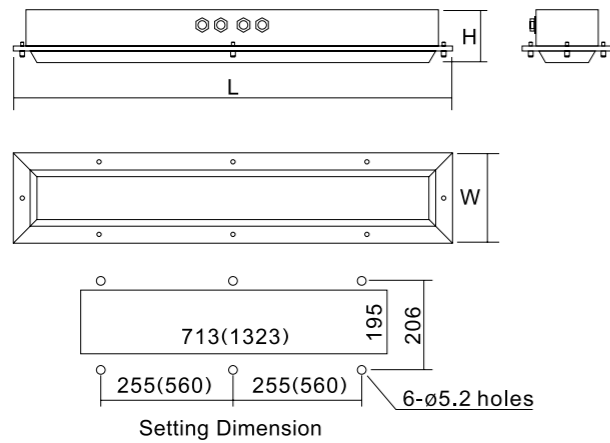
Materials
Body : Electro zinc coated steel sheet
Diffuser : Opal acryl

Finish
Body : White epoxy powder coat and stove enamelled(Munsell No. N-9.3)

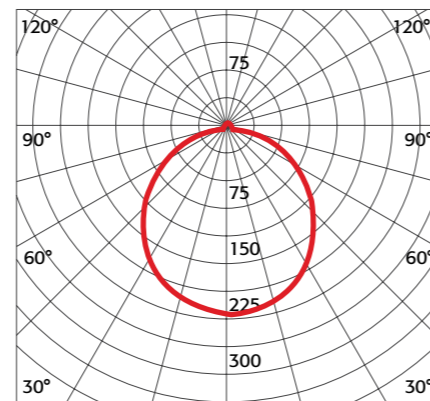
Equipment
Fluorescent lamp : 18/36W
Light sources : T26
Lamp base : G13
Four cable glands : PG16

Electrical
AC100~240V, 50/60Hz are available on request
Ballast : Glow, Electronic

■ Technical Drawing



■ Light Distribution Curve [Cd / 1000lm]



Specification

Model No.	Capacity	L(mm)	W(mm)	H(mm)	Weight(Kg)	Remarks
FL120WF-GIS	18W X 1	743	233	112	4.82	
FL220WF-GIS	18W X 2	743	233	112	6.80	
FL140WF-GIS	18W X 1	1353	233	112	7.43	
FL240WF-GIS	18W X 2	1353	233	112	9.41	

Option - Emergency DC Lamp - Dimming - Battery back-up

FL-NS Surface Ceiling Light

IP20



Application
Passage way, corner

Protection degree IP20

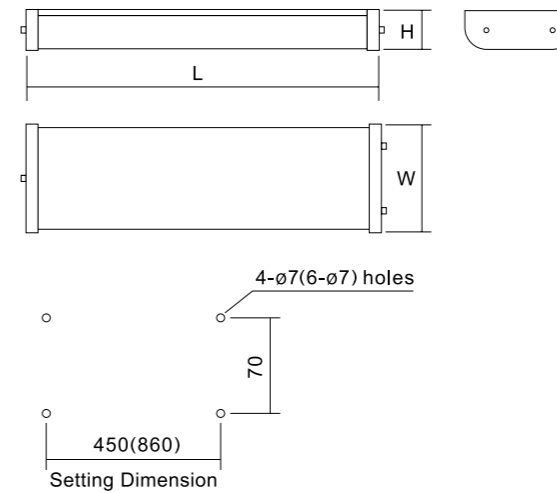
Materials
Body : Electro zinc coated steel sheet
Diffuser : Opal acryl

Finish
Body : White epoxy powder coat and stove enamelled(Munsell No. N-9.3)

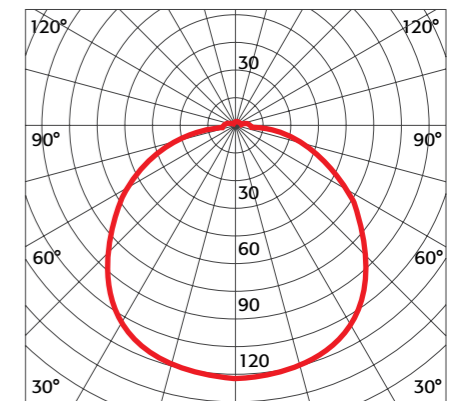
Equipment
Fluorescent lamp : 18/36W
Light sources : T26
Lamp base : G13
Six cable inlet holes (diameter : Max 16mm)

Electrical
AC 100~240V, 50/60Hz are available on request
Ballast : Glow, Electronic

■ Technical Drawing



■ Light Distribution Curve [Cd / 1000lm]



Specification

Model No.	Capacity	L(mm)	W(mm)	H(mm)	Weight(Kg)	Remarks
FL120NS-GIS	18W X 1	660	167	65	3.54	
FL220NS-GIS	18W X 2	660	167	65	3.91	
FL140NS-GIS	18W X 1	1280	167	65	5.32	
FL240NS-GIS	18W X 2	1280	167	65	7.01	

Option - Emergency DC Lamp - Dimming - Battery back-up