

3005020063

STB-6GN

Parallel station This product has been replaced by Phontech CIS Talk-Back System

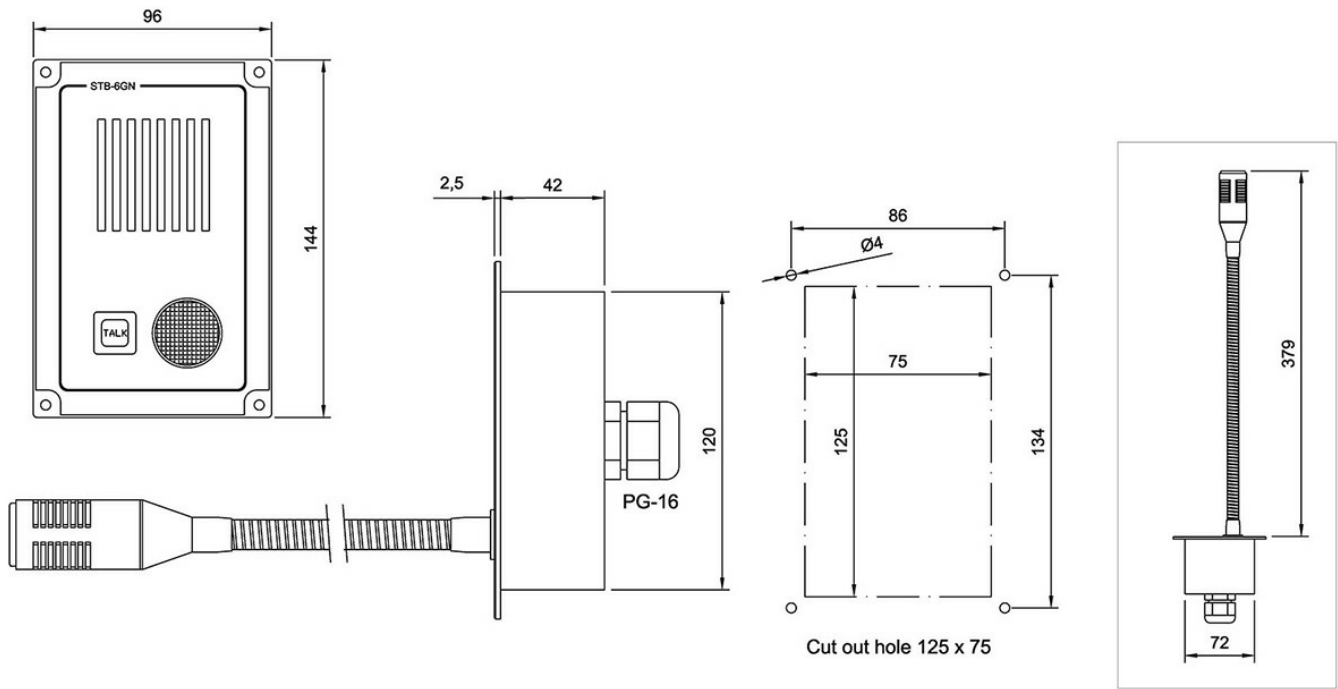
This product will be replaced by the equivalent [Phontech solution](#), but Zenitel will honor prior commitments given to the market. Therefore, we will continue to provide expansion and spare-part service for this product.



Description

- ✓ Parallel station with gooseneck microphone for indoor use
- ✓ Parallel microphone / loudspeaker for ETB and CTB operator panels
- ✓ Flush or bulkhead mounting
- ✓ Wall mounting with back box

Technical Dimensions



Specifications

GENERAL

Dimensions (mm)	144W x 96H x 42D
Mounting	4 x 4mm screws
Weight	Approx. 0.850 kg
Housing	Aluminium
Colour	Black
IP-rating	IP-22
Cable entry	PG-16
Connections	Screw terminal
Loudspeaker	3 W
Temperature operating	-15 to +55 °C

Accessories



STBOKS

Wall Mount Backbox for STB-6 & STB-6GN