

3005020055

SPS-4

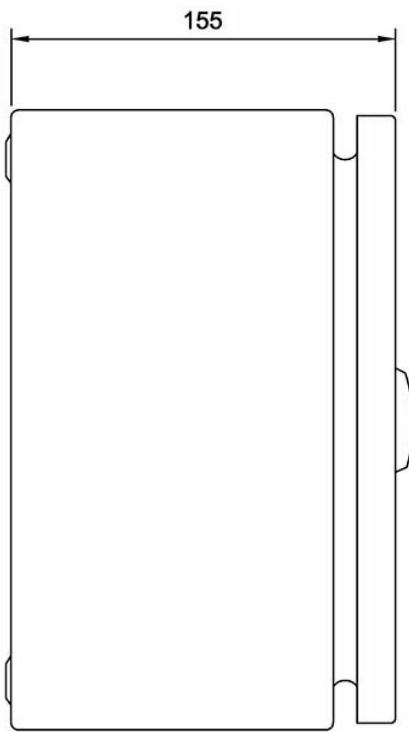
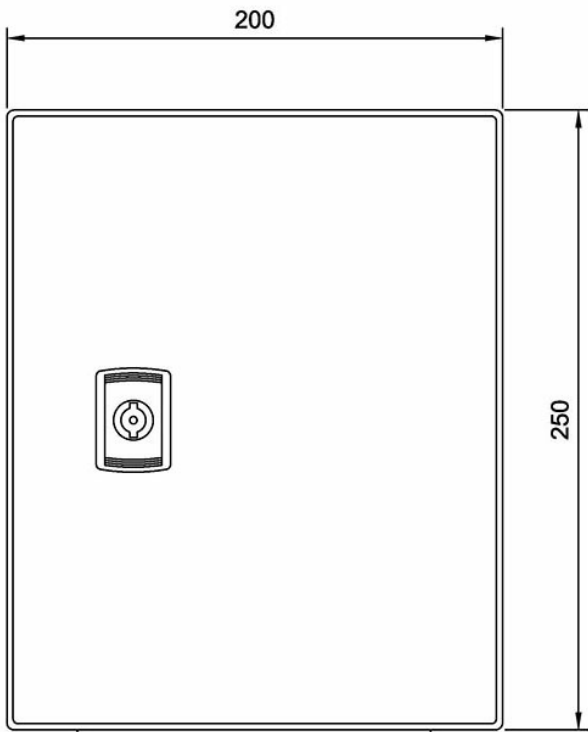
Power Supply

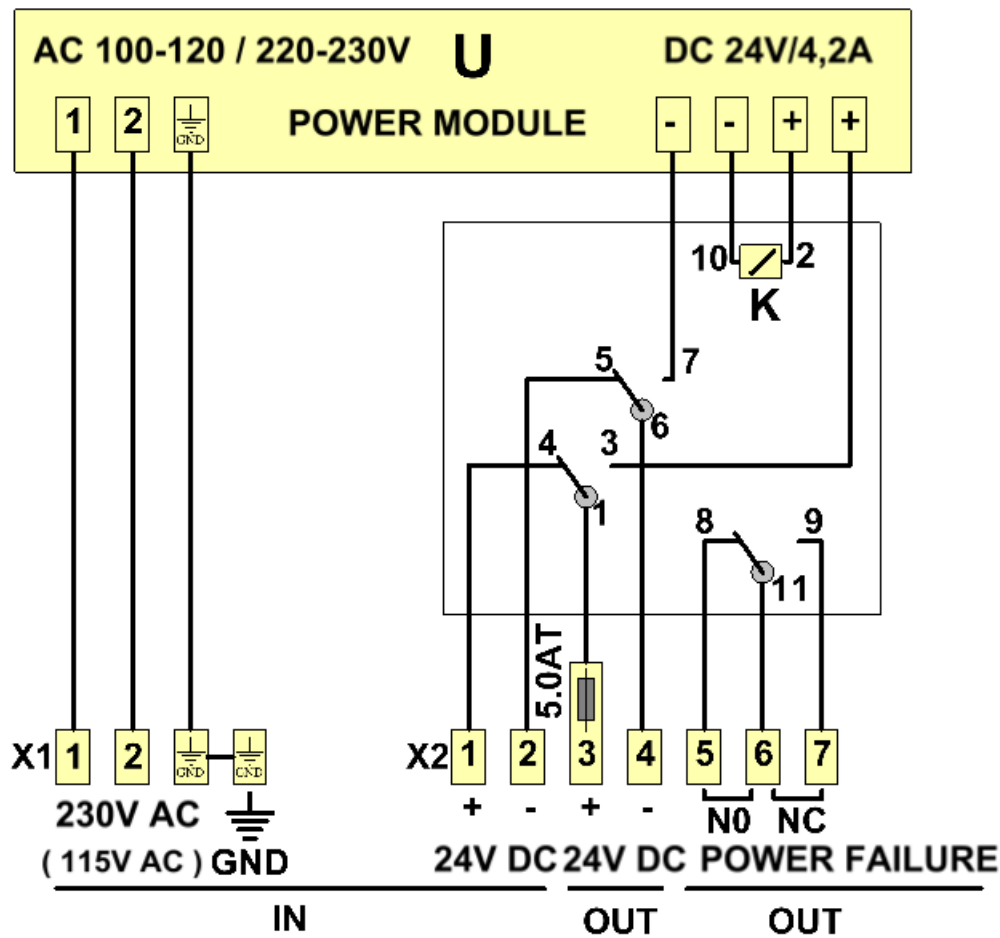


Description

- ✓ Power supply 115 / 230V AC to 24V DC with autoswitch relay for Main / UPS supply and power failure contact no/nc
- ✓ Compact steel housing for wall mounting
- ✓ Screw terminals for ship's cable
- ✓ Unmatched efficiency up to 95%
- ✓ Active filtering of input transients
- ✓ Large output capacitors
- ✓ DC-OK relay contact

Technical Dimensions





Specifications

GENERAL

Dimensions (WxHxD)	200 x 250 x 150 mm
Colour	Grey RAL 7032
Weight	4.1 kg
Input voltage 1	110 - 230 VAC
Input voltage 2	24 VDC Emergency
Output voltage	24 V - 28 VDC
Output current cont.	4.2 A
Output power cont.	110 W
Rippel & Noise volt.	50 mVpp
Relay	For automatic switching Main / UPS
Power failure	Normal open / normal closed contacts
Operating temp.	-25 to +60 °C
IP-rating	IP-44