

# SRN / SEN15 / SEN25



**SRN**  
(Max.108dB)



**SEN15**  
(Max.105dB)



**SEN25**  
(Max.115dB)

## PRODUCT SPECIFICATION

SRN | SEN15 | SEN25

**Materials** ABS

**Ambient operating temperature** -25°C to +50°C

**Protection rating** IP55

**Standard Color** Red

- Cost effective model with high signal sound
- A variety of sound selections between warning sounds, alarm sounds, melodies and voice messages to fit your sophisticated application needs
- User defined voice signal type(WV) shall be provided upon request
- Can adjust sound volume with the switch built inside the unit

### SRN General Electric Horns, Max.108dB

Model number	Voltage	Current	Sound Pattern and volume	Certificates	Weight
SRN	DC12V	Max.	·WS-5 Warning sounds: Max.108dB ·WM-5 Melodies: Max.108dB ·WA-5 Alarms: Max.105dB ·WV-5 Customizable sounds: 95-102dB	CE	DC-0.72kg AC-0.98kg
	-24V	0.320A			
	AC110V	0.075A			
	AC220V	0.035A			

※ DC type model has a free-voltage range of 10V-30V.

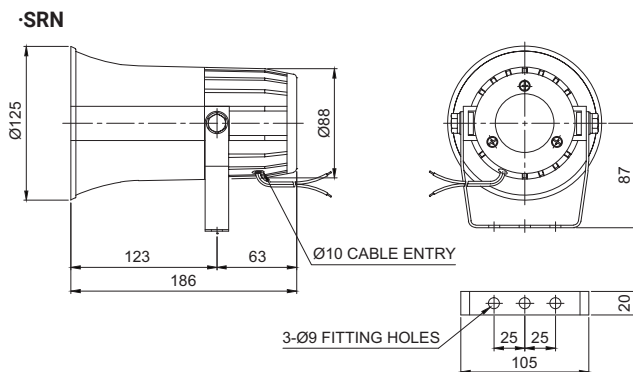
※ CE compliant: DC12V-24V

※ Max.built-in volume feature is based on WS-Ch3 / WM-Ch4 / WA-Ch4.

※ In case of customized WV 5 tone type, there may be difference of volume depending on user's audio file type.

### Technical Diagram

Units: mm



### SEN15 General Electric Horns, Max.105dB

Model number	Voltage	Current	Sound Pattern and volume	Certificates	Weight
SEN15	DC12V-24V	Max.0.370A	·WS-5 Warning sounds: Max.105dB ·WM-5 Melodies: Max.105dB ·WA-5 Alarms: Max.105dB ·WV-5 Customizable sounds: 94-101dB	CE	DC-0.76kg AC-1.03kg
	AC110V	0.080A			
	AC220V	0.040A			

※ DC type model has a free-voltage range of 10V-30V.

※ Max.built-in volume feature is based on WS-Ch1 / WM-Ch4 / WA-Ch4.

※ In case of customized WV 5 tone type, there may be difference of volume depending on user's audio file type.

### SEN25 General Electric Horns, Max.115dB

Model number	Voltage	Current	Sound Pattern and volume	Certificates	Weight
SEN25	DC12V	2.211A	·WS-5 Warning sounds: Max.115dB ·WM-5 Melodies: Max.108dB ·WA-5 Alarms: Max.113dB ·WV-5 Customizable sounds: 102-115dB	CE	DC-0.95kg AC-1.23kg
	DC24V	1.022A			
	AC110V	0.226A			
	AC220V	0.113A			

※ Max.built-in volume feature is based on WS-Ch1 / WM-Ch3 / WA-Ch4.

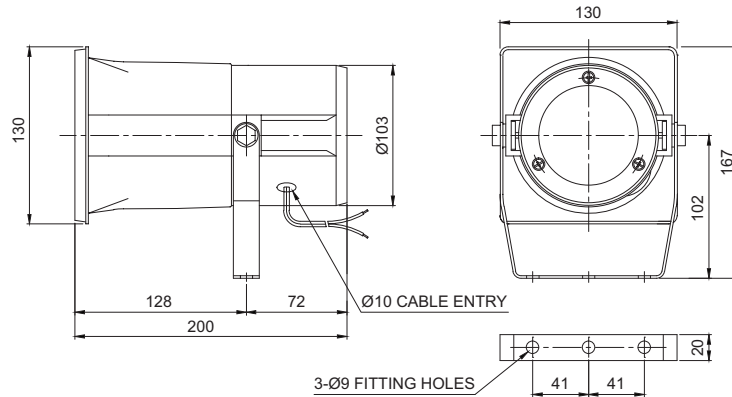
※ In case of customized WV 5 tone type, there may be difference of volume depending on user's audio file type.



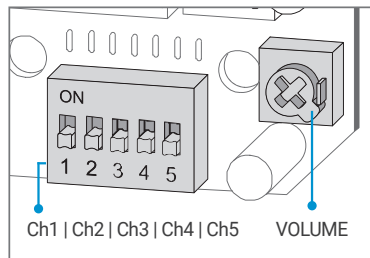
## Technical Diagram

Units: mm

### ·SEN15 / SEN25

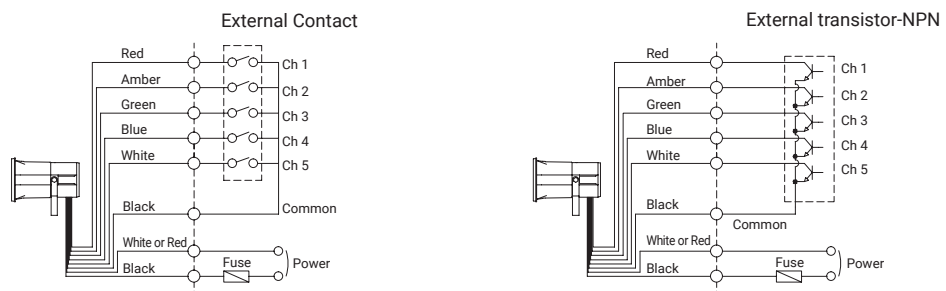


## Sound Selection and Wiring Instructions



- Standard: Internal switch
- Internal switch allows to choose sound pattern for SRN / SEN15 / SEN25 models
- External Power line VCTF(0.75sq x 2C) x 400mm
- External signal line - UL1007 AWG22(0.3sq) 400mm
- This product can be wired regardless of polarity.

### ·SRN / SEN15 / SEN25-DC/AC



## Customization

- Customization: Uses External Contact
- You can select the audible sound pattern using External Contacts or transistor with a customized external sound line (Model number: -LC)
- Optional 8 harmonies(SRN, SEN15)

## Ordering Specification

<b>SRN</b>	-	<b>WS</b>	-	<b>220</b>	-	<b>LC</b>
[Model number]		[Sounds]		[Voltage]		[Sound selection]
SRN SEN15 SEN25		WS-Warning WM-Melody WA-Alarm WV-Customizable sound		12-DC12V 24-DC24V 12/24-DC12V-24V(SRN, SEN15 only) 110-AC110V 220-AC220V		None - Internal Switch LC Type-Uses External Contact