

# POWER MANAGEMENT MODULE PMM

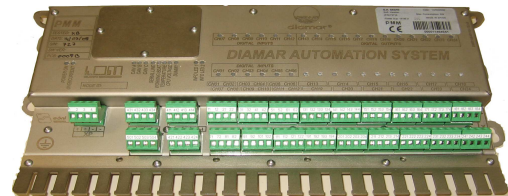
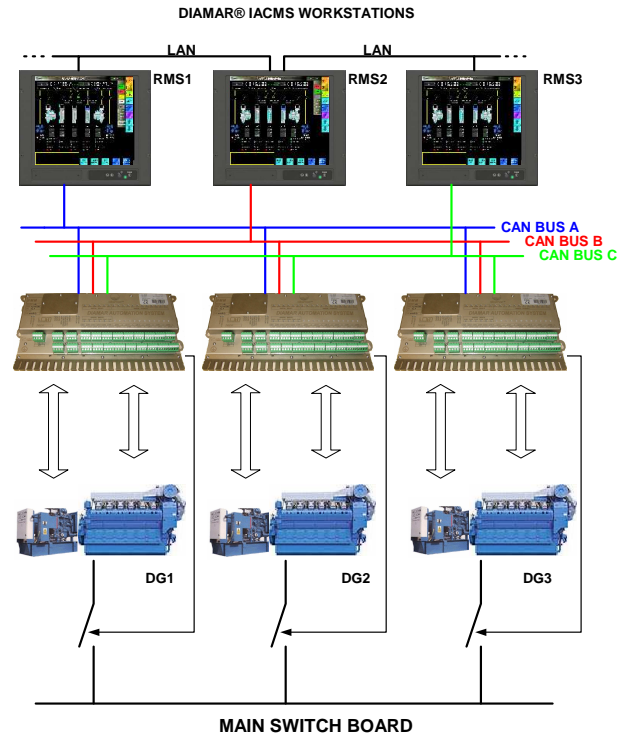
## Description

The Power Management Module, PMM, is a local acquisition and control module, part of SEDNI's DIAMAR® Automation System.

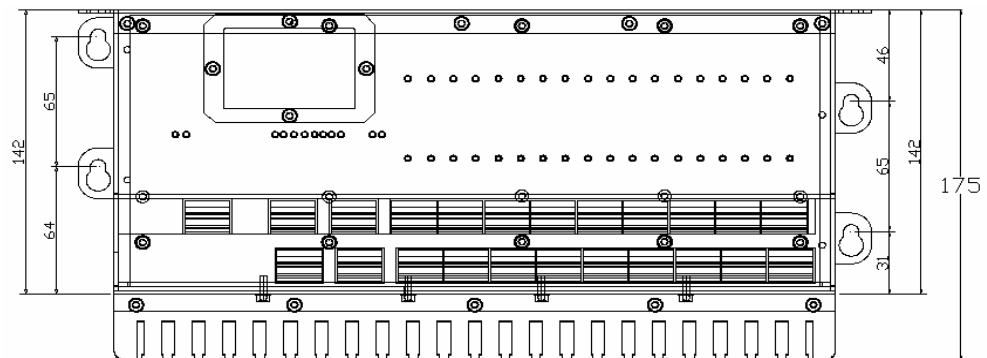
Main module purpose is the control of generator sets of a power plant (PMS): engine start/stop, synchronization, coupling, load sharing, bus-tie breakers, heavy consumers, PTO's, etc.

Signals are processed internally and transferred through 3 CAN-BUS lines (triple redundancy) to the Remote Stations where all monitoring and control functions are available for the operators.

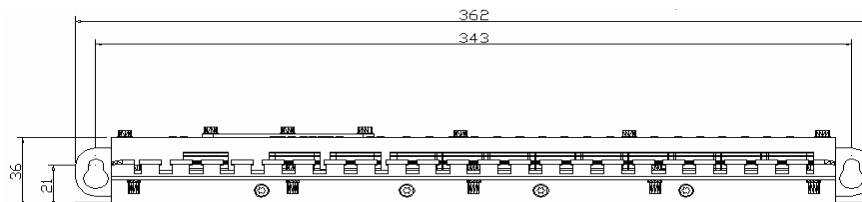
PMM is prepared to work in the hardest environmental conditions, complying with the rules of the main Class Societies as: DNV, BV, GL, LR, ABS, RINA...



Top View  
(Horizontal  
mounting)

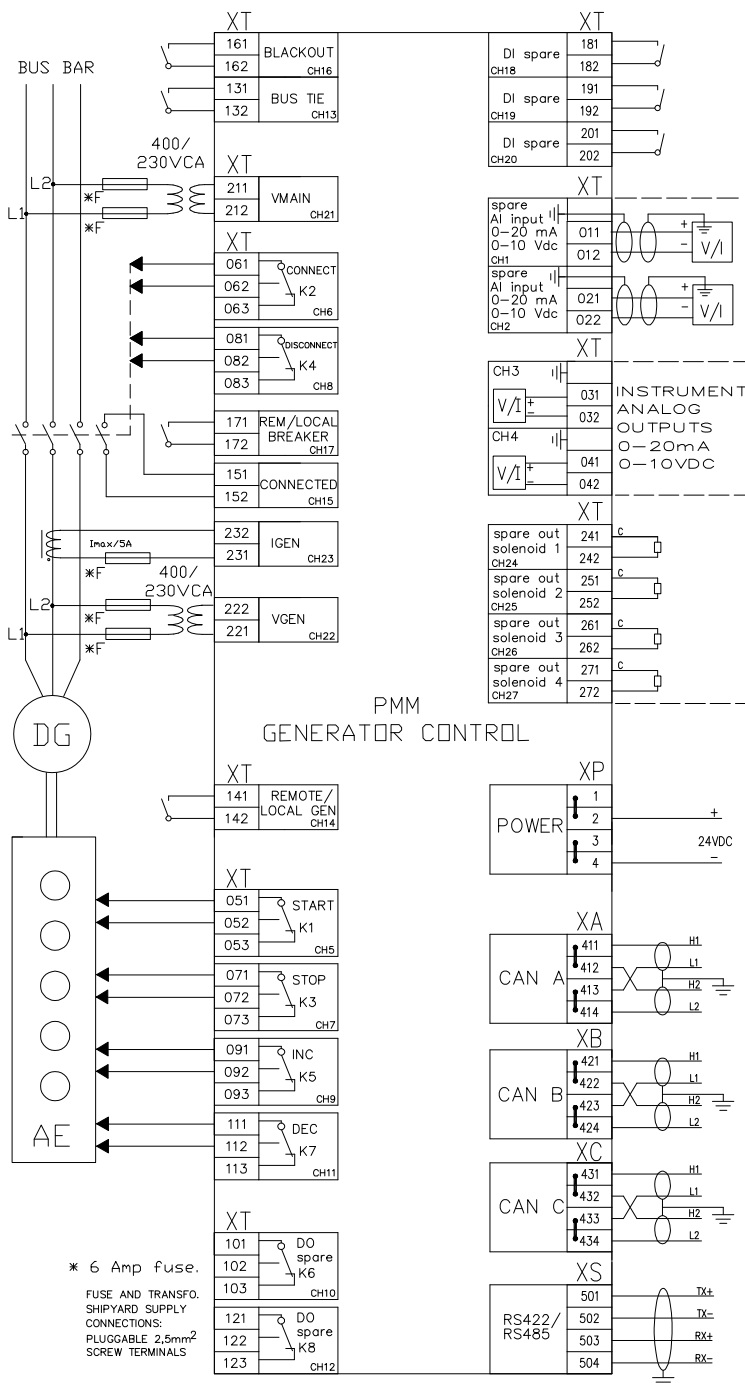


Front View  
(Vertical  
mounting)



\\Serverch\Auto\Catálogos\Datashheet DIAMAR\Datashheet en Inglés\CAT40110-009-E-(En)\Datashheet PMM (26.02.2009)

# Connection Drawing



# Specification

- ✓ 8 digital input channels.
- ✓ 8 digital output channels.
- ✓ 2 analog inputs (4 - 20 mA or 0 - 10 V).
- ✓ 2 analog outputs (4 - 20 mA or 0 - 10 V).
- ✓ 4 solenoid outputs.
- ✓ 2 AC voltage inputs (VAC) (600 v max.).
- ✓ 1 AC current input (IAC) (5 A max).
- ✓ Integrated sensor for temperature monitoring in PCB.
- ✓ Voltage monitoring in microprocessor.
- ✓ Suitable for direct mounting in engine room units (in cabin or console). Possibility to be mounted on engines, etc... (4G).
- ✓ Prepared to be installed directly in the Main Switch Board.
- ✓ Galvanic Isolation between power, digital inputs, digital outputs, analog inputs and outputs, AC inputs and CAN bus lines.
- ✓ LED status indication.
- ✓ Power supply: 18 – 36 VDC
- ✓ Power consumption: 16 W
- ✓ Working temperature: -25°C/+70°C
- ✓ Storage temperature: -40°C/+80°C
- ✓ Relative Humidity: 95%
- ✓ 3 CAN BUS lines.
- ✓ 1 RS422/485 line.
- ✓ Vertical or horizontal mounting with screws.
- ✓ Size: 175 x 362 x 36 mm
- ✓ Weight: 1,05 Kg.

\\Serverch\Auto\Catalogos\Datashheet DIAMAR\Datashheet en Ingles\CAT40110-009- E-(Esp)\Datashheet PMM (26/02/2009)