

1020600931

## VSP-211-L

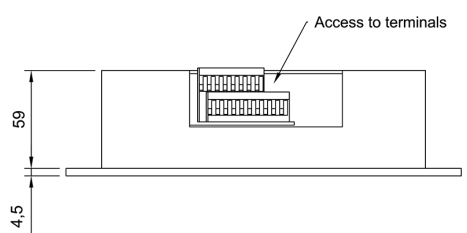
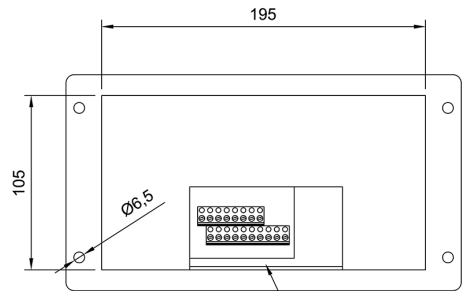
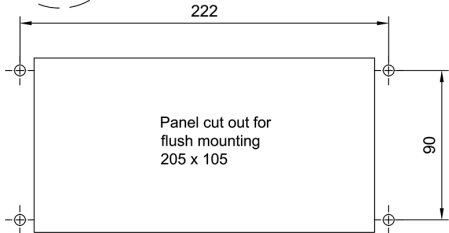
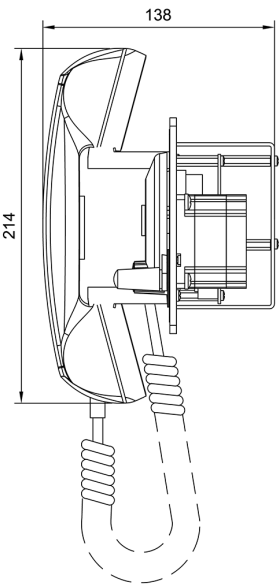
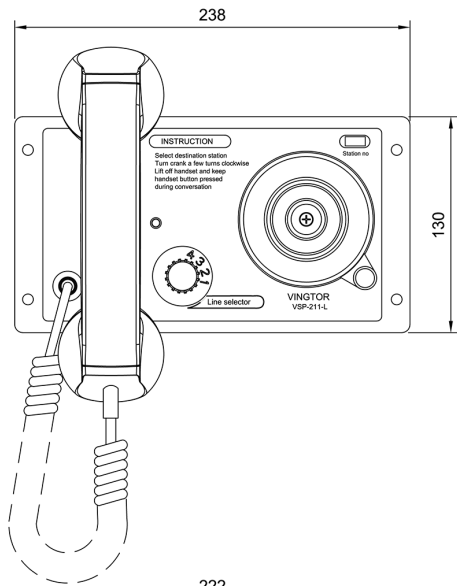
Main Station - Batteryless Telephone System - 12-Way



### Description

- ✓ 12 extensions selector switch
- ✓ Equipped with the built-in system amplifier w/capacitor battery
- ✓ Terminals for auxiliary 24VDC when used as Common Battery Telephones.
- ✓ To avoid noise problems, the 24VDC must be supplied via a DC / DC converter
- ✓ Flush mounted
- ✓ Wall mounting with corresponding metal cabinet type MBOKS-G
- ✓ Desk mounting with corresponding wooden cabinet type VSPC-OAK
- ✓ Suitable for installation in wheelhouse or control room

### Technical Dimensions



BATTERYLESS TELEPHONE SYSTEM  
 Main Station Panel Mounted IP-44  
 Type VSP-211-L Ver.6.0  
 O.no.1020600931  
 Dimension & Mounting details

Prepared by UT/SEN	Date 01.06.2011	Project no.	Revision by
Approved by	Date	Sheet 1/1	Rev.date
Dwg.no. / File A100K11075			Rev. no. 00

# Specifications

## GENERAL

Connections	Screw terminals Color
Color	Black
IP rating	IP-44 (in console)
Dimensions (WxHxD)	238 x 205 x 137 mm (w/ handset and built-in depth)
Panel cut-out	205 x 105 mm
Weight	1.30 kg
Operating temperature range	-25°C to 55°C

## GENERAL

## GENERAL

## Accessories



MBOKS-G

VSP Batteryless Telephone System



VSPC-OAK

Wooden OAK Cabinet



VSP-36-PEL-A

Headset with boom mic, headband, and 10m cable



VSP-36-PEL-A/20

Headset with boom mic, headband, and 20m cable



CD-4

Plugbox Waterproof



VSP-36-PELP-A

Headset with boom mic, headband, and 10m cable



VSP-36-PELP-A/20

Headset with boom mic, headband, and 20m cable



VSP-36-PELP-A/25

Headset with boom mic, headband, and 25m cable



IRR-24

Relay Box



IRR-VSP-220

Relay box 220V AC for VSP-12 way