

4000017573

P-9004

Call Unit

- ✓ 2-way loudspeaker connection
- ✓ CALL button
- ✓ Complies with IEC 60945 Standard for Marine Equipment
- ✓ RMRS type approval

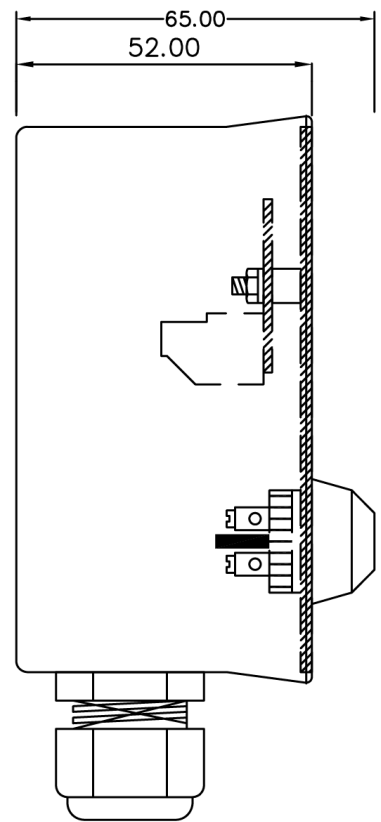
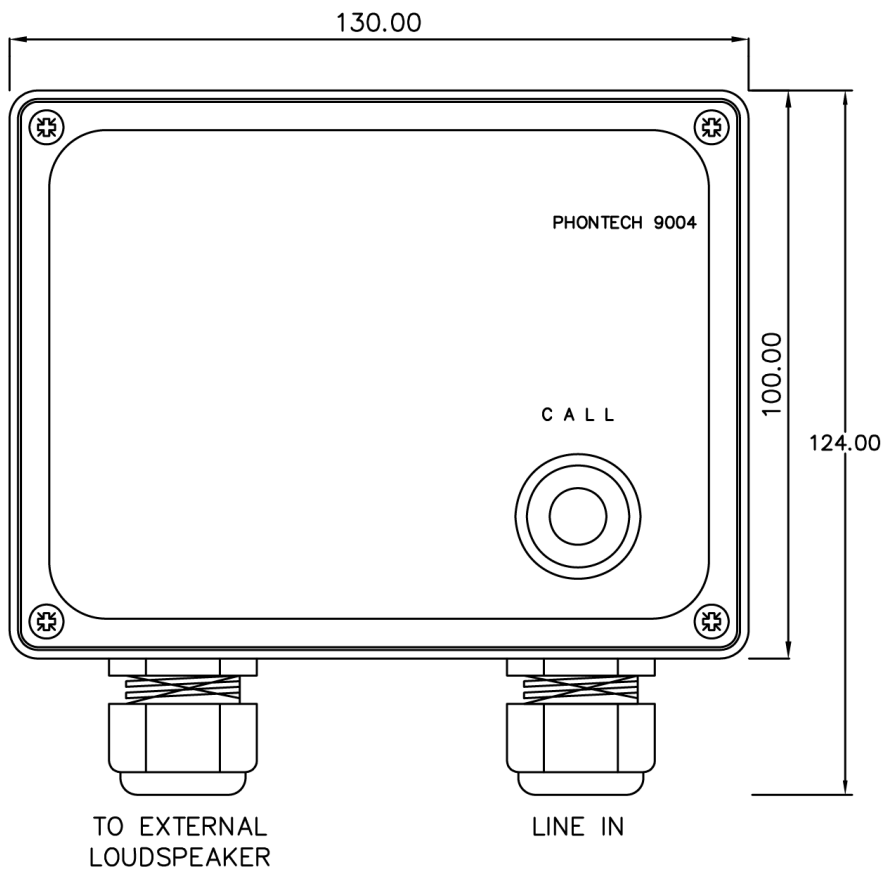


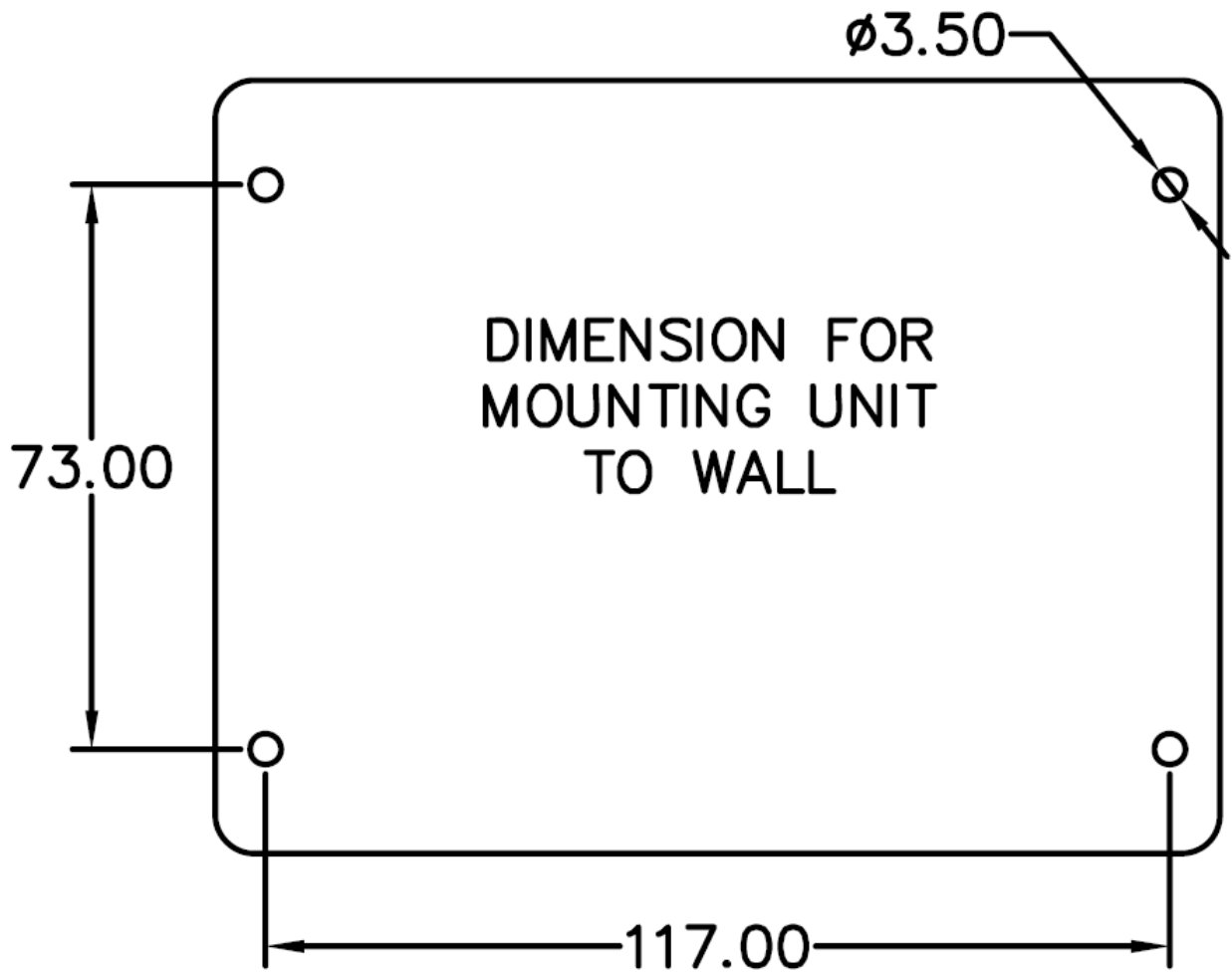
Description

The P-9004 is a weatherproof Command Intercom System (Talk-Back) Call Unit substation for industrial and outdoor environments. It interfaces a loudspeaker for 2-way communication.

The unit is equipped with a CALL button for attention request.

Technical Dimensions





Specifications

MECHANICAL

Dimensions (WxHxD)	130x124x52 mm (depth 65 mm including call button)
Weight	0.3 kg
Color	RAL 9005/9006
Material	PC / ABS blend
Mounting	Wall
Fixing	4 x M3 bolts
Access	Front
Cable Entry	Bottom/Top
Gland Type	2 x M20

ELECTRICAL

Power Supply	From central/line supply
Termination	Screw terminals ≤ 1.5 mm ²
Compass Safe Distance	> 5 m

ENVIRONMENTAL

Temperature	-25°C to +55°C (Storage: -25°C to +70°C)
Humidity	+93% (at +40°C)
Ingress Protection Rating	IP-56

ICX-ALPHACOM

HOW TO: Upgrade the ICX-AlphaCom Core software.



Used With



VML-1520

Horn Loudspeaker 15W, 20
OHM Waterproof