

1020159000

CD-4

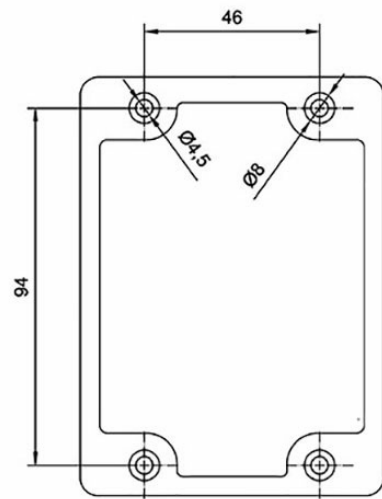
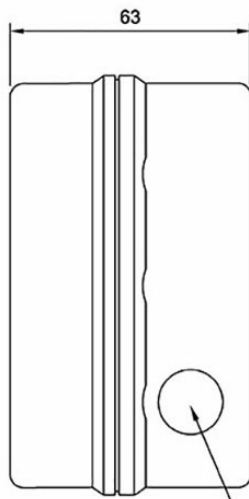
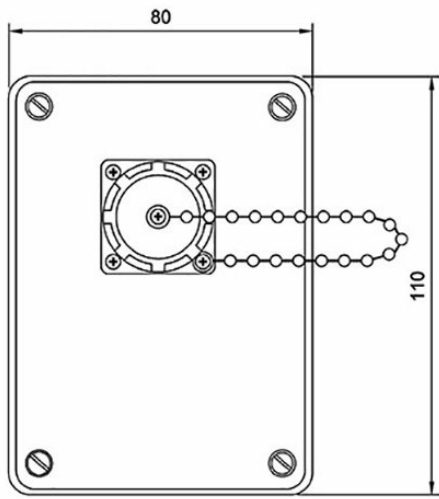
Plugbox Waterproof

 IP66

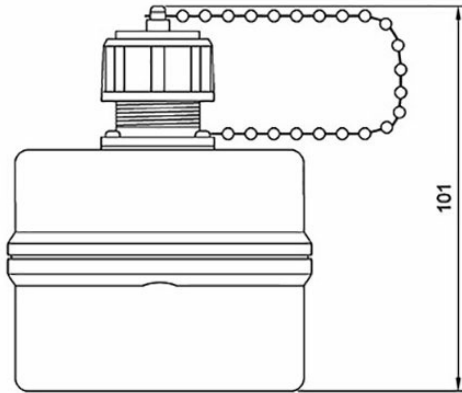
Description

- ✓ Waterproof plug box
- ✓ Designed to be used in VSP / PRO700 and ACM systems
- ✓ Protected Socket with wall mounting
- ✓ Suitable for installation in noisy areas

Technical Dimensions



Prepared for PG-11



Specifications

SPECIFICATIONS

Connections	Screw terminals
Material	Flame retardant blend plastic housing
IP class	IP-66
Operating temperature range	-25°C to 55°C
Dimensions (mm)	80W x 110H x 63D
Cable inlet	PG-11
Weight	0.35 kg