



FR Series Filter Regulator



All innovation
on driving your valve automation

www.powergenex.com





Valve air unit essential to provide clean and dry supply air to valve positioners, solenoid valves and pneumatic actuators

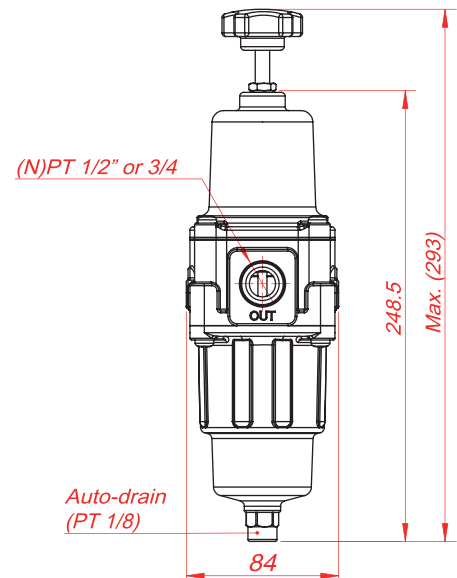
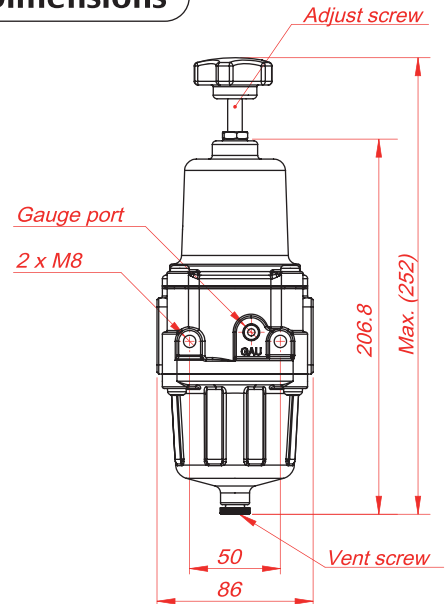
Features

- ▶ Rugged aluminum die-cast or stainless steel 316 housing
- ▶ Excellent stability and repeatability
- ▶ Outstanding sensitivity with precise setting
- ▶ High capacity with 5 micron filter
- ▶ Self-relief function to balance output and setting pressures
- ▶ High flow capacity
- ▶ Optional auto-drain (float type)

Specifications

| Model | FR-30 | FR-31 |
|-------------------------|---|---------------------|
| Port Size | PT(Rc) 1/2, NPT 1/2 PT(Rc) 3/4, NPT 3/4 | NPT 1/2 NPT 3/4 |
| Fluid | Air | |
| Output Pressure Range | 0 - 4 bar (60 psi) / 0 - 8 bar (120 psi) | |
| Max. Supply Pressure | 15 bar (225 psi) | |
| Operating Temperature | -20°C to +70°C | |
| Supply Air | Filtered compressed, dry and non oiled air (up to 5 micron) | |
| Gauge Port Size | PT(Rc) 1/8 | |
| Filtration | 5 micron | |
| Housing Material | Aluminum die-cast | Stainless steel 316 |
| Pressure Gauge Material | Stainless steel | |
| Weight | 1.6 kg | 3.4 kg |

Dimensions



How to Order

FR Body Material - Port Size Output Pressure Range Operating Temp. - Options

| Description | Code | |
|-----------------------|--|----------------------------|
| Body Material | 30 : Aluminum die-cast 31 : Stainless steel 316 | |
| Port Size | 1 : PT (Rc) 1/2 3 : PT (Rc) 3/4 | 2 : NPT 1/2 4 : NPT 3/4 |
| Output Pressure Range | 1 : 0 - 4 bar (60 psi) | 2 : 0 - 8 bar (120 psi) |
| Operating Temperature | 0 : -20 - +70°C 2 : -40 - +80°C | 1 : -20 - +120°C |
| Options | M : Manual drain | A : Auto drain |