

LED

IP 66



# FLXE 118 LED-N



## CONSTRUCTION

Enclosure: aluminum painted casting  
 Diffuser: borosilicate glass tube,  
 Gasket: silicon  
 The light fitting is normally supplied with two entries M20 and wall/sealing mounting set

## TECHNICAL DATA

<b>Certificate:</b>	FIDI 19 ATEX 0028
<b>Marking:</b>	CE 0722
<b>Apparatus category:</b>	II 2G II 2D
<b>Marking of explosion protection:</b>	Ex db IIC T6 Gb or Ex db eb IIC T6 Gb (with adapter) Ex tb IIIC T80°C Db
<b>Ambient temperature:</b>	$-20^{\circ}\text{C} \leq T_a \leq +50^{\circ}\text{C}$
<b>Degree of protection:</b>	IP 66
<b>Resistance to shock:</b>	IK 08
<b>Protection class :</b>	I (protective earthing)
<b>Rated voltage:</b>	220-240 V Other voltage on request
<b>Frequency:</b>	50 / 60 Hz
<b>Rated power:</b>	LED strip SMD 1,4 W
<b>Luminous flux:</b>	250 lm
<b>Connecting terminals:</b>	L, L', N, PE, DALI 4mm <sup>2</sup> max. per terminal External PA terminal -PA; max 2x6mm <sup>2</sup>
<b>Cable entries:</b>	2 x M20 or 2 x 3/4"NPT or 2 x M20, with one Ex d plugs and one adapter type ADP 24 for cable $\phi$ 7-15 mm
<b>Weight:</b>	4 kg

Light fitting FLXE 118 LED-N contains battery heaters that are used to maintain the temperature on batteries  $> 5^{\circ}\text{C}$ . In case the battery temperature is  $< 5^{\circ}\text{C}$ , the heaters are switched on and maintain battery temperatures  $> 5^{\circ}\text{C}$ .

- Used for marking escape routes and exits in potentially explosive atmospheres.
- Self-test, monitoring and diagnostics reduce costly maintenance checks.
- >3h autonomy
- Maintained / Non maintained operation
- DALI Digital Addressable Lighting Interface
- 3 lithium-ion secondary cells LiFePO4 3.2 V / 1.8 Ah, microprocessor-controlled charging, discharging, heating and monitoring
- **Maintained** (Dauerschaltung)
- **Non maintained** (Bereitschaftschaltung)

# Emergency LED light fitting

## MODEL CODE

**FLXE 118 LED-N** / ..

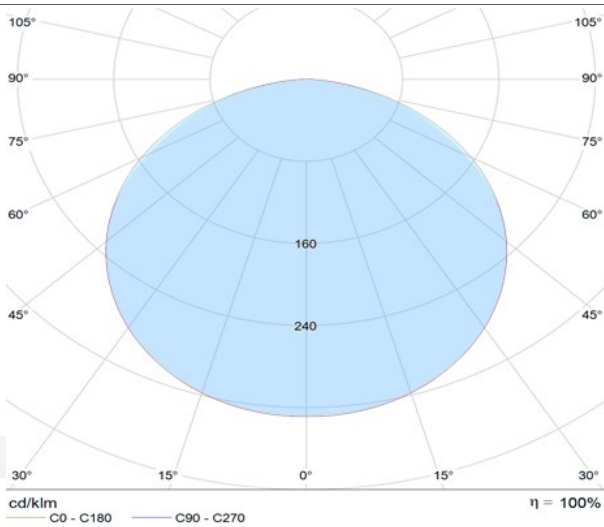
### Cable entry:

- 0 - Ex db cable entry 2 x M20
- 1 - Ex db cable entry 2 x 3/4"NPT
- 2 - Ex db cable entry 2 x M20, ISO 965-1, with one installed Ex db eb adapter type ADP 24/1 and one Ex db plug
- 3 - Ex db cable entry 2 x M20, with one installed Ex db eb adapter type ADP 24/1 and one ADP 22/1 for DALI interface
- 4 - Ex db cable entry 2 x M20, with two installed Ex db eb adapter type ADP 24/1 for true wiring

Pictogram: according to DIN 4844-2

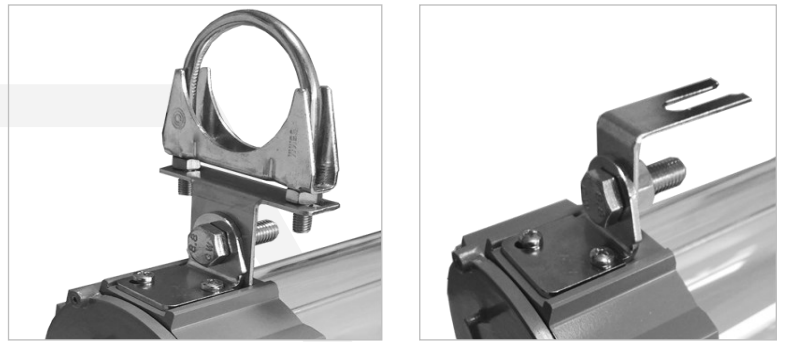
0	Without marking	5	
1		6	
2		7	
3		8	
4			

## POLAR CURVE

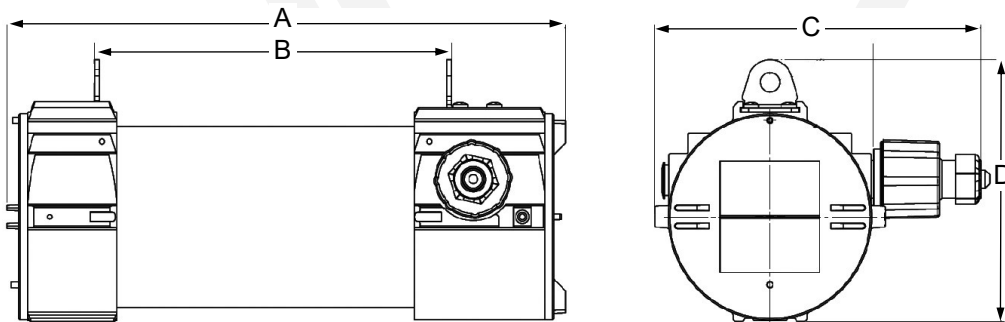


## MOUNTING

Pendant, on pipe, wall, ceiling mounting



## DIMENSION DRAWING (mm)



A	B	C	D
366	230	220	174

## SPARE PARTS AND ACCESSORIES

SKETCH	DESCRIPTION	CODE	SKETCH	DESCRIPTION	CODE
	Cover gasket FLX	FLX 10-120		External reflector FLX	FLX LED 20-150
	Base plate FLXE	FLXE 10-130		FLX Wall / ceiling mounting set	FLX 20-170
	Protective grid FLXE set	FLXE 20-140		FLX Pipe mounting set	FLX 20-180

All technical data is relevant at the time of print.