

Product data sheet

Specifications



Auxiliary contact block, TeSys Deca, 1NO+3NC, front mounting, screw clamp terminals

LADN13

Main

Range	TeSys TeSys Deca
Product name	TeSys Deca
Product or component type	Auxiliary contact block
Device short name	LADN
Range compatibility	TeSys D CAD TeSys D LC1D TeSys F LC1F TeSys F CR1F TeSys Deca CAD TeSys Deca LC1D
Mounting location	Front
Pole contact composition	1 NO + 3 NC
Contacts operation	Instantaneous
[Ue] rated operational voltage	690 V AC 25...400 Hz
[Ie] rated operational current	6 A 120 V AC-15 1.04 A 690 V AC-15 0.55 A 125 V DC-13 0.1 A 600 V DC-13
[Ui] rated insulation voltage	690 V IEC 60947-5-1 600 V UL 600 V CSA
[Ith] conventional free air thermal current	10 A 140 °F (60 °C)
Standards	EN/IEC 60947-5-1 UL 60947-5-1 CSA C22.2 No 60947-5-1 GB/T 14048.5 EN 50012
Product certifications	CB UL CSA CCC EAC UKCA

Complementary

Irms rated making capacity	140 A AC IEC 60947-5-1 250 A DC IEC 60947-5-1
Permissible short-time rating	100 A 140 °F (60 °C) 1 s 120 A 140 °F (60 °C) 500 ms 140 A 140 °F (60 °C) 100 ms

Protection type	GG fuse 10 A
Mechanical durability	30 Mcycles
Minimum switching current	5 mA
Minimum switching voltage	17 V
Non-overlap time	1.5 ms on de-energisation no overlap between NC and NO contact 1.5 ms on energisation no overlap between NC and NO contact
Insulation resistance	> 10 MOhm
Connections - terminals	screw clamp terminals 1 0.00...0.01 in ² (1...4 mm ²)flexible with cable end screw clamp terminals 1 0.00...0.01 in ² (1...4 mm ²)flexible without cable end screw clamp terminals 2 0.00...0.00 in ² (1...2.5 mm ²)flexible with cable end screw clamp terminals 2 0.00...0.01 in ² (1...4 mm ²)flexible without cable end screw clamp terminals 1 0.00...0.01 in ² (1...4 mm ²)rigid without cable end screw clamp terminals 2 0.00...0.01 in ² (1...4 mm ²)rigid without cable end
Tightening torque	15.05 lbf.in (1.7 N.m) flat Ø 6 mm 15.05 lbf.in (1.7 N.m) Philips No 2 15.05 lbf.in (1.7 N.m) pozidriv No 2
Height	1.89 in (48 mm)
Width	1.73 in (44 mm)
Depth	1.65 in (42 mm)
Net weight	0.11 lb(US) (0.05 kg)
Colour	Dark grey

Environment

Environmental characteristic	Normal environment
IP degree of protection	IP20 IEC 60529
Protective treatment	TH IEC 60068
Ambient air temperature for storage	-76...176 °F (-60...80 °C)
Ambient air temperature for operation	23...140 °F (-5...60 °C)
Operating altitude	3000 m

Packing Units

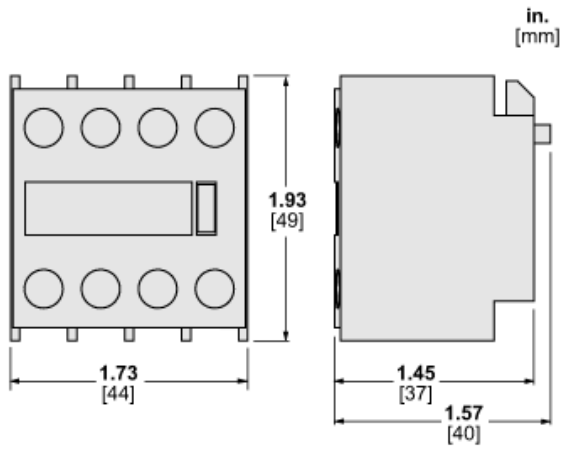
Unit Type of Package 1	PCE
Number of Units in Package 1	1
Package 1 Height	1.97 in (5.0 cm)
Package 1 Width	1.69 in (4.3 cm)
Package 1 Length	2.05 in (5.2 cm)
Package 1 Weight	2.15 oz (61.0 g)
Unit Type of Package 2	BB1
Number of Units in Package 2	10
Package 2 Height	1.97 in (5.0 cm)
Package 2 Width	3.39 in (8.6 cm)
Package 2 Length	10.31 in (26.2 cm)
Package 2 Weight	21.87 oz (620.0 g)
Unit Type of Package 3	S03
Number of Units in Package 3	160
Package 3 Height	11.81 in (30.0 cm)

Package 3 Width	11.81 in (30.0 cm)
Package 3 Length	15.75 in (40.0 cm)
Package 3 Weight	22.94 lb(US) (10.404 kg)

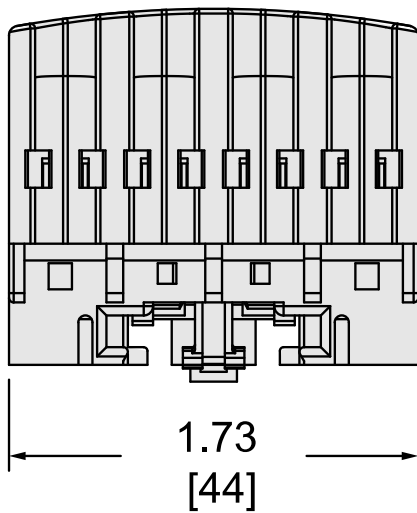
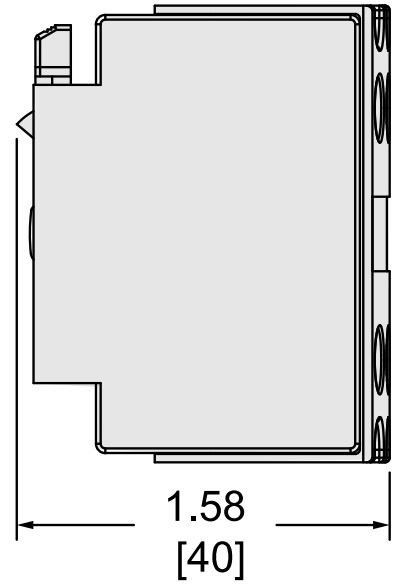
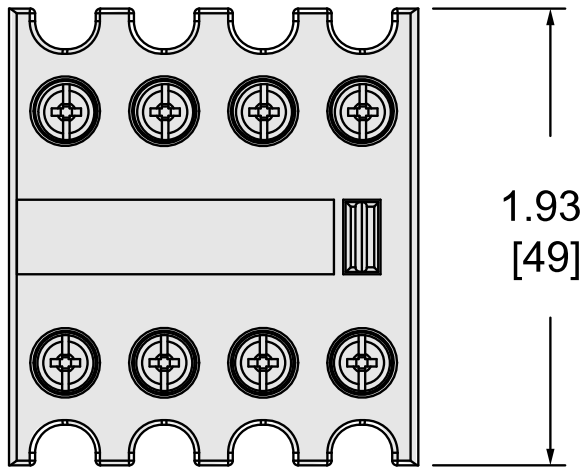
Offer Sustainability

Sustainable offer status	Green Premium product
REACH Regulation	REACH Declaration
REACH free of SVHC	Yes
EU RoHS Directive	Compliant EU RoHS Declaration
Toxic heavy metal free	Yes
Mercury free	Yes
China RoHS Regulation	China RoHS declaration Pro-active China RoHS declaration (out of China RoHS legal scope)
RoHS exemption information	Yes
Environmental Disclosure	Product Environmental Profile
WEEE	The product must be disposed on European Union markets following specific waste collection and never end up in rubbish bins

Approximate Dimensions



Dimensions



in.
[mm]

Recommended replacement(s)