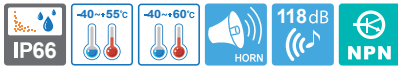


# SESA series



**Explosion proof warning light and electric horn combinations with sound output of Max 118dB**



**SESALR**



**SESAL**



**SESAS**

## Explosion Proof Warning/ Signal Light and Max 118dB Electric Horn Combinations



### Common Specifications(SESALR/ SESAL/ SESAS/ SESA)

- Large explosion proof warning light and electric horn combinations
- A variety of light sources and sound selections to fit your sophisticated application needs
- Aluminum housing provides excellent durability
- Fully enclosed structure with protection rating of IP66
- Integrated housing and terminal box model
- Sound volume : Max 118dB at 1m(Volume adjustable)
- Standard housing color : MUNSELL No. 7.5BG 7/2
- Cable entry : 1/2" NPT
- Materials : Lens-Tempered glass, Filter-PC, Housing-Al, Protection cage-SUS316L, Reflector for LED type-PC/Reflector for bulb type-Heat resistant ABS
- Certificates : IECEx, ATEX, NEPSI, KCs, CCS, CCC(F)
- Protection rating :
  - IECEx - Ex d IIC T6 Gb, IP66
  - ATEX -  $\text{Ex}$  II2G Ex d IIC T6 Gb, IP66
  - NEPSI - Ex d IIC T6 Gb, IP66/ Ex tD A21 IP66 T80°C
  - KCs - Ex d IIC T6, IP66/ Ex tD A21 T85°C IP66
  - Ex d IIB+H2 IP66 T6
- Ambient operating temperature :  $-40^{\circ}\text{C} \leq T_{\text{amb}} \leq +60^{\circ}\text{C}$   
 $-40^{\circ}\text{C} \leq T_{\text{amb}} \leq +55^{\circ}\text{C}$  (KCs)



### SESALR LED Revolving Warning Light and Electric Horn Combination

- Excellent omni-directional visibility with LED light collecting system and special multifaceted reflector
- Revolving speed : 120-140RPM

Model number	Voltage	Current	Sound pattern and volume	Certificates	Weight	Color
SESALR	DC12V	2.633A	<ul style="list-style-type: none"> <li>• WS-5 Warning sounds : 118dB</li> <li>• WP-5 Special warning sounds : 118dB</li> <li>• WM-5 Melodies : 118dB</li> <li>• WA-5 Alarms : 116dB</li> <li>• WV-5 Customizable voices : 113dB</li> </ul>		8.31kg	<ul style="list-style-type: none"> <li>• R-Red</li> <li>• A-Amber</li> <li>• G-Green</li> <li>• B-Blue</li> </ul>
	DC24V	1.288A			8.31kg	
	AC110V	0.308A			7.92kg	
	AC220V	0.154A			7.92kg	



### SESAL LED Steady/ Flashing Signal Light and Electric Horn Combination

- Long product lifetime with the application of a high intensity LED light source
- Suitable for locations where bulb replacement is inconvenient
- Built in switch for steady/flashing selection
- Flashing rate : 60-80 flashes/min

Model number	Voltage	Current	Sound pattern and volume	Certificates	Weight	Color
SESAL	DC12V	2.511A	<ul style="list-style-type: none"> <li>• WS-5 Warning sounds : 118dB</li> <li>• WP-5 Special warning sounds : 118dB</li> <li>• WM-5 Melodies : 118dB</li> <li>• WA-5 Alarms : 116dB</li> <li>• WV-5 Customizable voices : 113dB</li> </ul>		8.42kg	<ul style="list-style-type: none"> <li>• R-Red</li> <li>• A-Amber</li> <li>• G-Green</li> <li>• B-Blue</li> </ul>
	DC24V	1.222A			8.42kg	
	AC110V	0.286A			9.02kg	
	AC220V	0.143A			9.02kg	



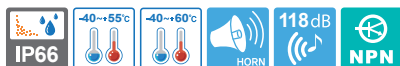
### SESAS Xenon Lamp Strobe Signal Light and Electric Horn Combination

- Lamp connector fastening structure allows for convenient lamp replacement
- High efficiency strobe light offers excellent visibility for long distances
- Flashing rate : 60-80 flashes/min

Model number	Voltage	Current	Bulb			Sound pattern and volume	Certificates	Weight	Color
			Spec	Standard	Parts no				
SESAS	DC12V	2.933A	200V-550V	EUB0641-1A(G) U Type	48	<ul style="list-style-type: none"> <li>• WS-5 Warning sounds : 118dB</li> <li>• WP-5 Special warning sounds : 118dB</li> <li>• WM-5 Melodies : 118dB</li> <li>• WA-5 Alarms : 116dB</li> <li>• WV-5 Customizable voices : 113dB</li> </ul>		8.45kg	<ul style="list-style-type: none"> <li>• R-Red</li> <li>• A-Amber</li> <li>• G-Green</li> <li>• B-Blue</li> </ul>
	DC24V	1.411A						8.45kg	
	AC110V	0.360A						8.86kg	
	AC220V	0.220A						8.86kg	

# SESA series

## Explosion Proof Warning/ Signal Light and Max 118dB Electric Horn Combinations



SESA

### SESA Bulb Revolving Warning Light and Electric Horn Combinations

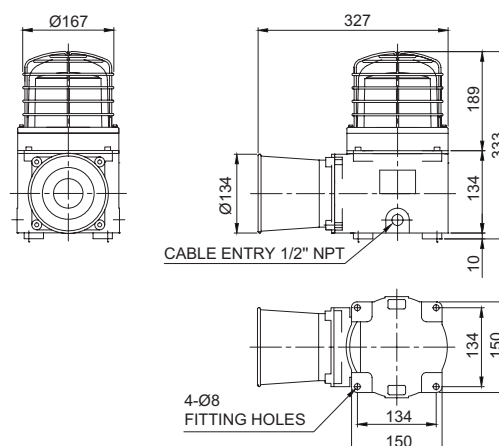
- Excellent diffusion effect with special multifaceted reflector
- Revolving speed : 120-140RPM

Model number	Voltage	Current	Bulb			Sound pattern and volume	Certificates	Weight	Color
			Spec	Standard	Parts no				
SESA	DC12V	3.755A	12V15W	G23 15S	17	• WS-5 Warning sounds :118dB • WP		8.57kg	<ul style="list-style-type: none"> <li>• R-Red</li> <li>• A-Amber</li> <li>• G-Green</li> <li>• B-Blue</li> </ul>
	DC24V	1.788A	24V15W	G23 15S	18	• -5 Special warning sounds :118dB			
	AC110V	0.422A	12V15W	G23 15S	17	• WM-5 Melodies : 118dB • WA-5 Alarms : 116dB • WV			
	AC220V	0.211A	12V15W	G23 15S	17	• -5 Customizable voices : 113dB			

### Technical Diagram

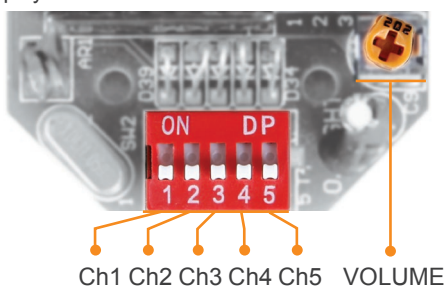
(Units : mm)

SESALR/ SESAL/ SESAS/ SESA



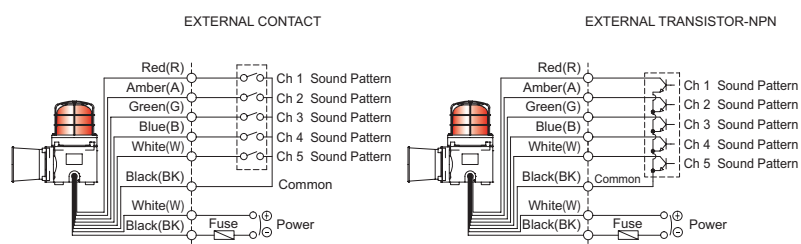
### Sound Selection Instructions and Wiring

- Standard type : Select sound using the switch inside of the unit. When you turn on the dip switch for each channel, designated sound is played.



- Customization : External contact(LC)  
Customization of signal line threading can be choice between external contact and transistor which can be fit for control unit.

SESA SERIES-DC/AC



- SESA, SESALR : Black output line is negative(-)

### Customization

- Explosion proof cable gland attached type available (Standard type does not come with explosion proof cable gland)
- 2 way cable entries
- Customized cable entry (3/4" NPT, M20×1.5, M25×1.5) available
- ATEX compliant products
- IECEx compliant products

### Ordering Specification

SESAS	-	WS	-	220	-	R
[Model number]		[Sound]		[Voltage]		[Color]
<ul style="list-style-type: none"> <li>• SESALR</li> <li>• SESAL</li> <li>• SESAS</li> <li>• SESA</li> </ul>		<ul style="list-style-type: none"> <li>• WS-Warning sounds</li> <li>• WP-Special warning sounds</li> <li>• WM-Melodies</li> <li>• WA-Alarms</li> <li>• WV-Customizable sounds</li> </ul>		<ul style="list-style-type: none"> <li>• 12-DC12V</li> <li>• 24-DC24V</li> <li>• 110-AC110V</li> <li>• 220-AC220V</li> </ul>		<ul style="list-style-type: none"> <li>• R-Red</li> <li>• A-Amber</li> <li>• G-Green</li> <li>• B-Blue</li> </ul>