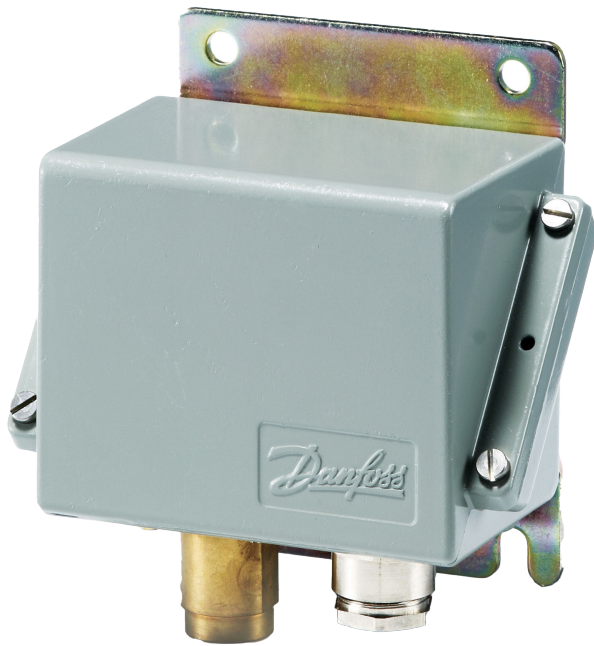


Data Sheet

Pressure switch and Thermostat Type CAS



The CAS Series consists of a series of pressure controlled switches and temperature controlled switches. In this series, special attention has been given to meeting demands for a high level of enclosure, robust and compact construction and resistance to shock and vibration.

The series is suitable for use in alarm and regulation systems in factories, diesel plants, compressors, power stations and on board ships

Features

- A high level of enclosure
- Fixed differential
- Robust and compact construction
- Resistance to shock and vibration
- Available with all major marine approvals

Overview

Figure 1: Overview

[bar]							Range P _e [bar]	Type
0	10	20	30	40	50	60		
							0 – 3.5	CAS 133
							0 – 10	CAS 136
							6 – 18	CAS 137
							10 – 35	CAS 139

[bar]							Range P _e [bar]	Type
0	10	20	30	40	50	60		
							1 – 10	CAS 143
							4 – 40	CAS 145
							6 – 60	CAS 147

[bar]							Range P _e [bar]	Type
0	10	20	30	40	50	60		
							0.2 – 2.5	CAS 155

[°C]								Range [°C]	Type
0	20	40	60	80	100	120	140		
								20 – 80	CAS 178
								70 – 120	CAS 180
								60 – 150	CAS 181

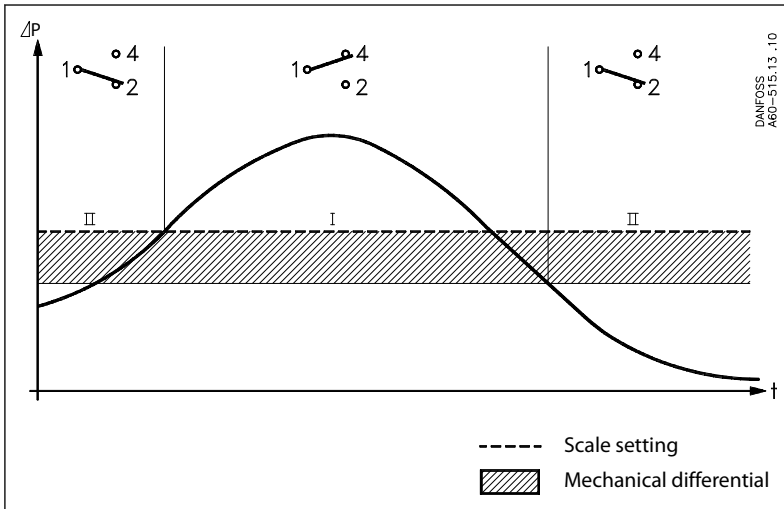
Function

Pressure switch

a. CAS 155

Contacts 1-4 make and contacts 1-2 break when the differential pressure rises above the set range value. The contacts changeover to their initial position when the differential pressure again falls to the range value minus the differential (Figure 2).

Figure 2: CAS 155

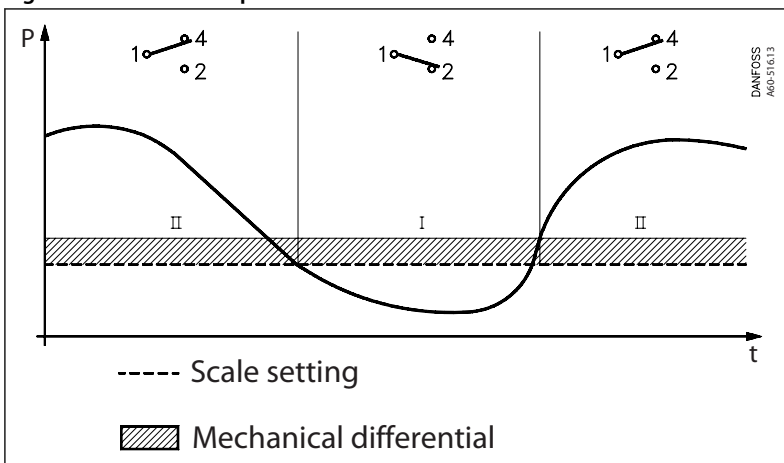


- I Alarm for rising pressure given at the set range value
- II Alarm for falling pressure given at the set range value minus the differential

b. All other CAS pressure switches

Contacts 1-2 make and contacts 1-4 break when the pressure falls under the set range value. The contacts changeover to their initial position when the pressure again rises to the set range value plus the differential (Figure 3).

Figure 3: All other CAS pressure switch



- I Alarm for falling pressure given at the set range value
- II Alarm for rising pressure given at the set range value plus the differential

Example 1:

An alarm must be given when the lubrication oil pressure in a motor falls below 0.8 bar. Select CAS 133 (range 0 – 3.5 bar). The minimum permissible lubricating oils pressure of 0.8 bar must be set using the range spindle. The differential is fixed at 0.1 bar, i.e. the alarm will not cut out before the pressure rises to 0.9 bar. The switch break function is normally used for alarm purposes, i.e. the alarm must be connected to terminals 1 and 4.

Example 2:

When the differential pressure exceeds 1.3 bar a filter must be cleaned. The maximum static pressure (LP) for the CAS 155 of 8 bar must not be exceeded. The pressure control range spindle must be set at 1.3 bar. The alarm must be connected to terminals 1 and 2 (alarm for broken circuit).

Thermostat

Differentials

The mechanical differential is the differential determined by the design of the thermostat. The thermal differential (operating differential) is the differential the system operates on.

The thermal differential is always greater than the mechanical differential and depends on three factors:

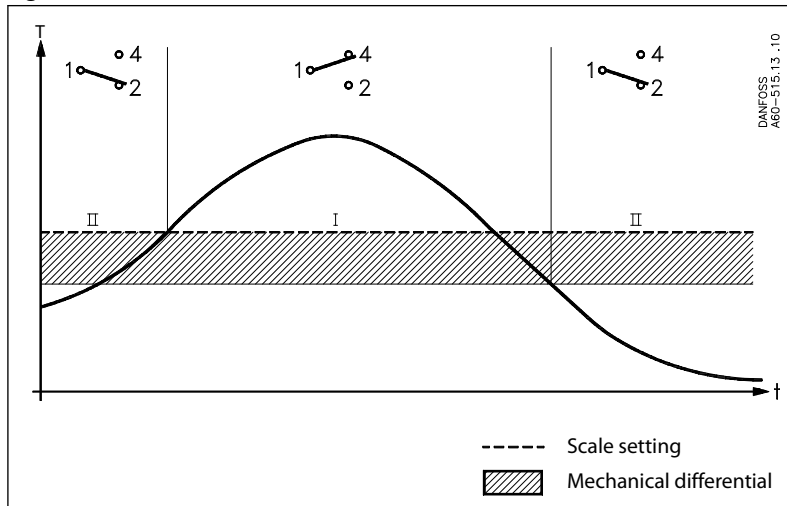
- Medium flow velocity
- Temperature change rate of the medium
- Heat transmission to the sensor

Thermostat function

Contacts 1-4 make while contacts 1-2 break when the temperature rises above the scale setting.

The contacts changeover to their initial position when the temperature falls to the scale setting minus the differential. See [Figure 4](#).

Figure 4: Thermostat



I	Alarm for rising temperature given at range setting value.
II	Alarm for falling temperature given at range setting value minus the differential.

Example 1

Diesel engine with cooling water temperature of 85 °C (normal). An alarm must be triggered if the cooling water temperature exceeds 95 °C. Choose a CAS thermostat 180 (range 70 – 120 °C). Main spindle setting: 95 °C. The required alarm function is obtained by connecting to thermostat terminals 1-4.

Example 2

Find the necessary scale correction for a CAS 180. Set 95 °C at 50 °C ambient temperature.

The relative scale setting Z can be calculated from the following formula:

Pressure switch and Thermostat Type CAS

$$\frac{\text{Setting value} - \text{min. scale value}}{\text{max. scale value} - \text{min. scale value}} \times 100 = [\%]$$

$$\text{Relative scale setting: } \frac{95 - 70 \times 100}{120 - 70} = 50 \%$$

Factor for scale deviation Z **Figure 14**, $Z \approx 0.7$ Correction factor "a=2.4", see **Table 4: Type**.

Scale correction = $Z \times a = 0.7 \times 2.4 = 1.7 \text{ }^\circ\text{C}$ CAS must be set at $95 + 1.7 = 96.7 \text{ }^\circ\text{C}$

2-Step Thermostat Type CAS 1080:

CAS 1080 thermostats have fixed factory settings. The thermostats with factory setting at $80 \text{ }^\circ\text{C}$ of step 1 and step 2 is used for special application, where double warning – like cranked case fire – is requested. The contacts automatically reset when the temperature decreases in accordance with the differential.

Differentials

The mechanical differential is the differential determined by the design of the thermostat. The thermal differential (operating differential) is the differential the contact system operates on. The thermal differential is always greater than the mechanical differential and depends on three factors:

- 1) Medium flow velocity
- 2) Temperature change rate of the medium and
- 3) Heat transmission to the sensor

Thermostat function

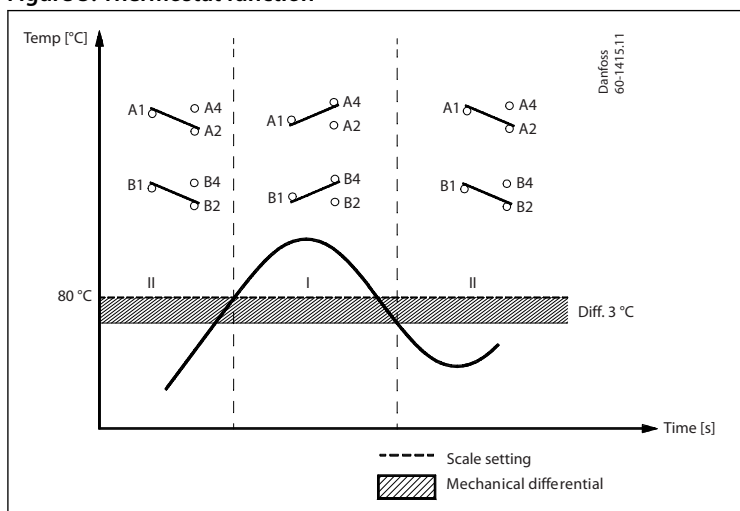
Contacts 1–4 make while contacts 1–2 break when the temperature rises above the scale setting.

The contacts changeover to their initial position when the temperature falls to the scale setting minus the differential. See **Figure 5**.

The contacts marked A correspond to step 1.

The contacts marked B correspond to step 2.

Figure 5: Thermostat function



- | | |
|----|--|
| I | Alarm for rising temperature given at range setting value. |
| II | Alarm for falling temperature given at range setting value minus the differential. |

Product specification

Technical Data

Pressure switch

Table 1: Technical data

Switch	Microswitch with single pole changeover (SPDT)	
Contact load	Alternating current	AC-14 / AC-15: 0.1 A, 220 V
	Direct current	DC-13: 12 W, 125 V
Ambient temperature	CAS 133 – 139	-40 – 70 °C
	CAS 143 – 155	-25 – 70 °C
Temperature of medium ⁽¹⁾	CAS 133 – 139	-40 – 100 °C
	CAS 143 – 155	-25 – 100 °C
Vibration resistance	Vibration-stable in the range 2 – 30 Hz amplitude 1.1 mm and 30 – 100 Hz, 4 g.	
Cable entry	Pg 13.5 for cable diameters from 5 – 14 mm.	

⁽¹⁾ For water and seawater, max. 80 °C

Thermostat

Table 2: Technical data

Type	CAS 178, CAS 180, CAS 181		CAS 1080
Switch	Microswitch with single pole changeover (SPDT)		Microswitch with single pole changeover (2 x SPDT)
Contact load	Alternating current	AC-14 / AC-15: 0.1 A, 220 V	
	Direct current	DC-13: 12 W, 125 V	
Ambient temperature	-25 – 70 °C		
Vibration resistance	Vibration-stable in the range 2 – 30 Hz, amplitude 1.1 mm and 30 – 100 Hz, 4 g.		
Cable entry	Pg 13.5 for cable diameters from 5 – 14 mm	2 x g 13.5 for cable diameters from 5 – 14 mm	

Terminology

Range setting

The pressure range within which the unit will give a signal (contact changeover).

Differential

The difference between make pressure and break pressure (see also page 6).

Permissible burst pressure

The highest permanent or recurring pressure the unit can be loaded with.

Max. test pressure

The highest pressure the unit may be subjected to when, for example, testing the system for leakage. Therefore, this pressure must not occur as a recurring system pressure.

Min. burst pressure

The pressure which the pressure-sensitive element will withstand without leaking.

Design

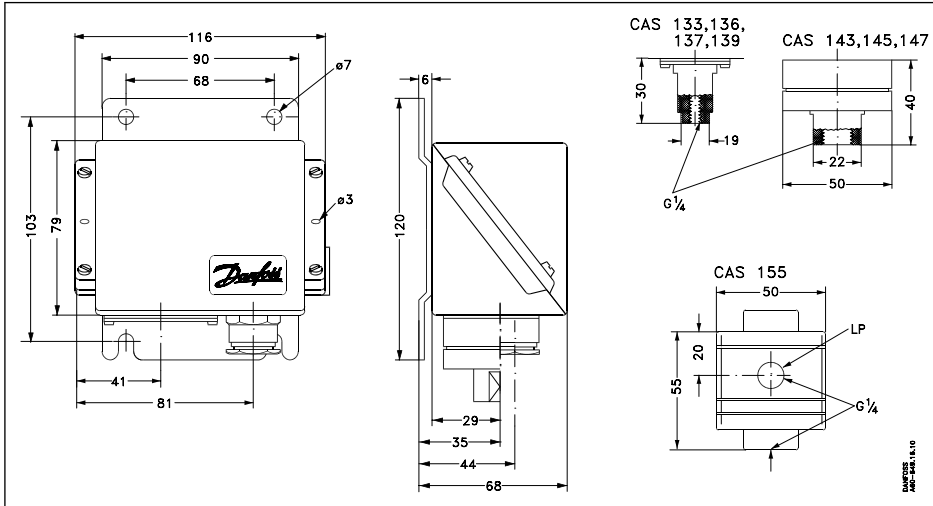
Table 3: Materials in contact with the medium

Type	Materials	
CAS 133, CAS 136, CAS 137, CAS 139	Bellows:	Stainless steel, material no. 1.4306 (DIN 17440)
	Pressure connection:	Brass material no. 2.0401 (DIN 17660)
CAS 143, CAS 145, CAS 147, CAS 155	Pressure connection:	Nickel plated brass CuZn 40 Ob3 ISO R 426 (DIN 17569)
	Diaphragm:	Nitrile-butadien rubber

Dimensions and weights

Pressure switch

Figure 6: Dimensions [mm] and weights [kg]



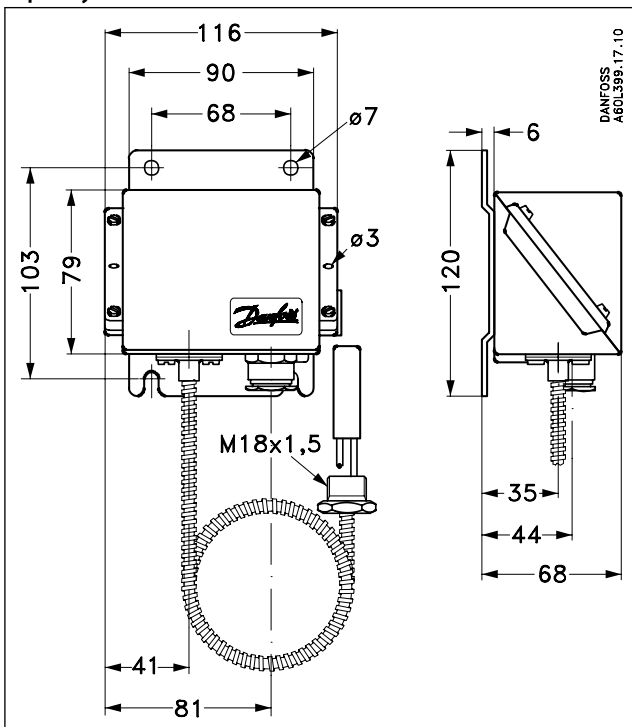
Net weight: CAS 133-139 approx. 1.0 kg

CAS 143-147 approx. 1.3 kg

CAS 155 approx. 1.5 kg

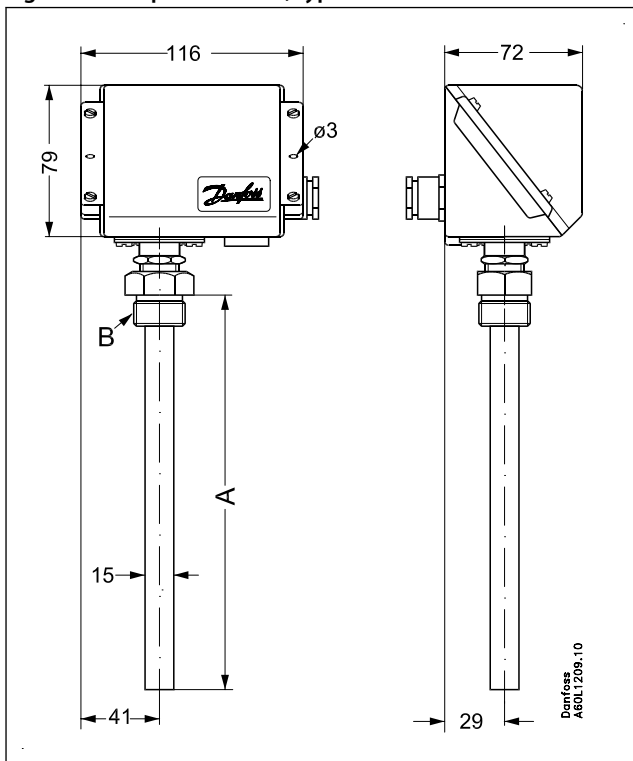
Thermostat

Figure 7: CAS with remote sensor and 2 m armoured capillary tube



Net weight: approx. 1.4 kg

Figure 8: 2-step thermostat, type CAS 1080



A: 200 or 80 mm

B: G 3/4 A

Net weight: approx. 1.4 kg

Installation

Pressure switch

Figure 9: Steam plant

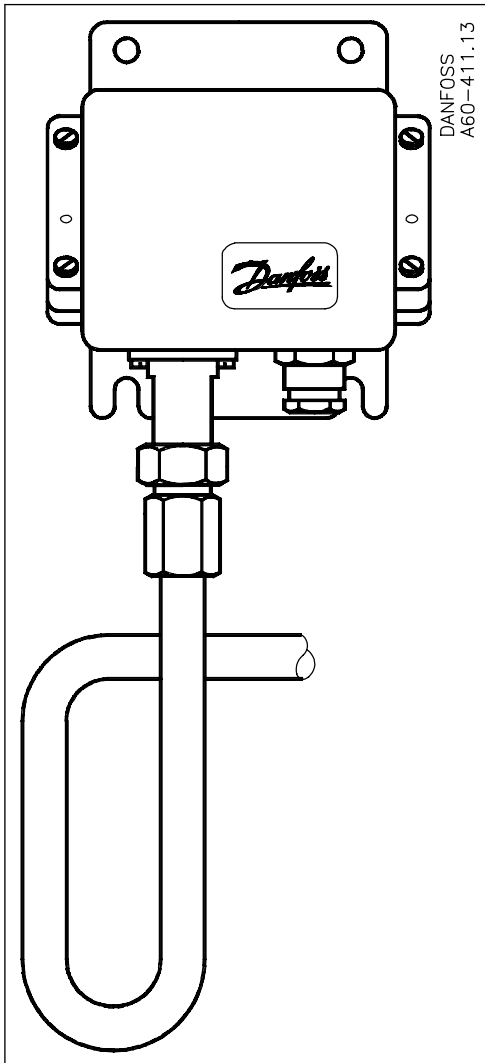


Figure 10: Electrical connection

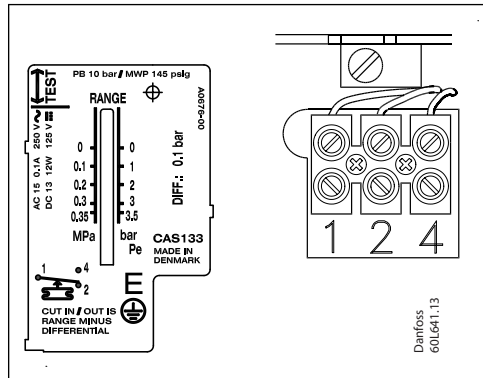
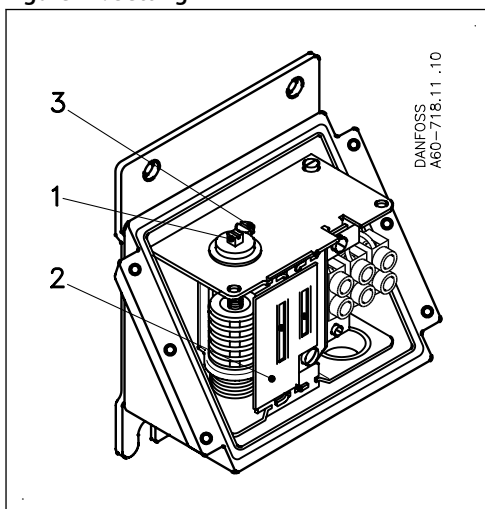


Figure 11: Setting



- | | |
|---|---------------|
| 1 | Range Spindle |
| 2 | Range Scale |
| 3 | Locking screw |

Installation

CAS pressure switches are fitted with a 3 mm steel mounting plate. The units should not be allowed to hang from the pressure connection.

Pressure connection

When fitting or removing pressure lines, the spanner flats on the pressure connection should be used to apply counter-torque.

Steam plant

To protect the pressure element from excessive heat, the insertion of a water-filled loop is recommended. The loop can, for example, be made of 10 mm copper tube as shown in [Figure 9](#).

Water systems

Water in the pressure element is not harmful, but in case of frost a water-filled pressure element may burst. To prevent this happening, the pressure control can be allowed to operate on an air cushion.

Media Resistance

See [Table 3](#) of materials in contact with the medium. If seawater is involved, types CAS 143, CAS 145, CAS 147, CAS 155 are recommended.

Pulsations

If the pressure medium is superimposed with severe pulsations, which occur in automatic sprinkler systems (fire protection), fuel systems for diesel motors (priming lines), and hydraulic systems (e.g. propeller systems), etc, types case CAS 143, CAS 145, CAS 147 are recommended. The maximum permissible pulsation level for these types is 120 bar.

Setting

When the pressure switch cover is removed, and the locking screw (3) is loosened, the range can be set with the spindle (1) while at the same time the scale (2) is being read ([Figure 11](#)).

Electrical connection

CAS pressure switches are fitted with a PG 13.5 screwed cable entry that is suitable for cable diameters from 5 – 13 mm. Contact function is shown in [Figure 10](#).

Thermostat

Location of unit

CAS thermostats are designed to withstand the shocks that occur, for example, in ships on compressors and in large machine installations. CAS thermostats are fitted with a base of 3 mm steel plate for fixing to bulkheads, etc.

Resistance to media

Material specifications for sensor pockets.

Sensor pocket brass

The tube is made of Ms 72 to DIN 17660, the threaded portion of So Ms 58 Pb to DIN 17661.

Sensor pocket, stainless steel 18/8

Material designation 1.4305 to DIN 17440.

Sensor position

As far as possible the sensor should be positioned so that its longitudinal axis is at right angles to the direction flow. The active part of the sensor is $\varnothing 13$ mm \times 47.5 mm.

The medium

The fastest reaction is obtained from a medium having high specific heat and high thermal conductivity. It is therefore advantageous to use a medium that fulfils these conditions (provided there is a choice). The flow velocity of the medium is also of significance. (The optimum flow velocity for liquids is about 0.3 m/s). For permissible media pressure see [Figure 12](#).

Setting

When the thermostat cover is removed, and the locking screw (3) is loosened, the range can be set with the spindle (1) while at the same time the scale (2) is being read ([Figure 13](#)).

Figure 12: Permissible media pressure on the sensor pocket as a function of temperature

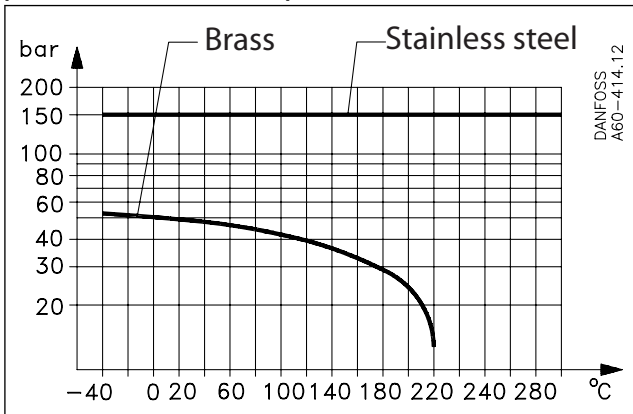
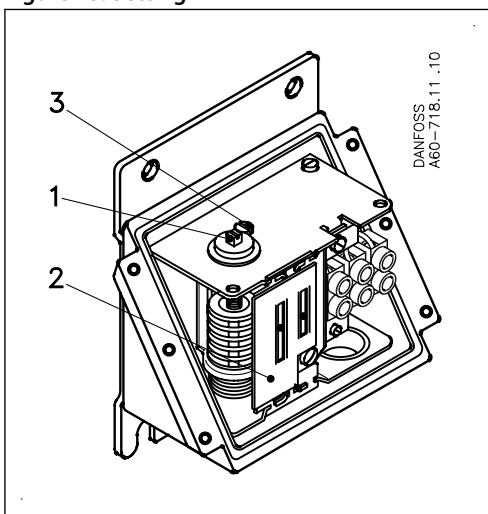


Figure 13: Setting



1	Range Spindle
2	Range Scale
3	Locking screw

Scale correction

The sensor on CAS thermostats contains an adsorption charge. Therefore function is not affected whether the sensor is placed warmer or colder than the remaining part of the thermostatic element (bellows and capillary tube). However, such a charge is to some extent sensitive to changes in the temperature of bellows and capillary tube. Under normal conditions this is of no importance, but if the thermostat is to be used in extreme ambient temperatures there will be a scale deviation. The deviation can be compensated for as follows: Scale correction = $Z \times a$ where "Z" can be found from Figure 14, while "a" is the correction factor from the table below.

Pressure switch and Thermostat Type CAS

Figure 14: Scale correction

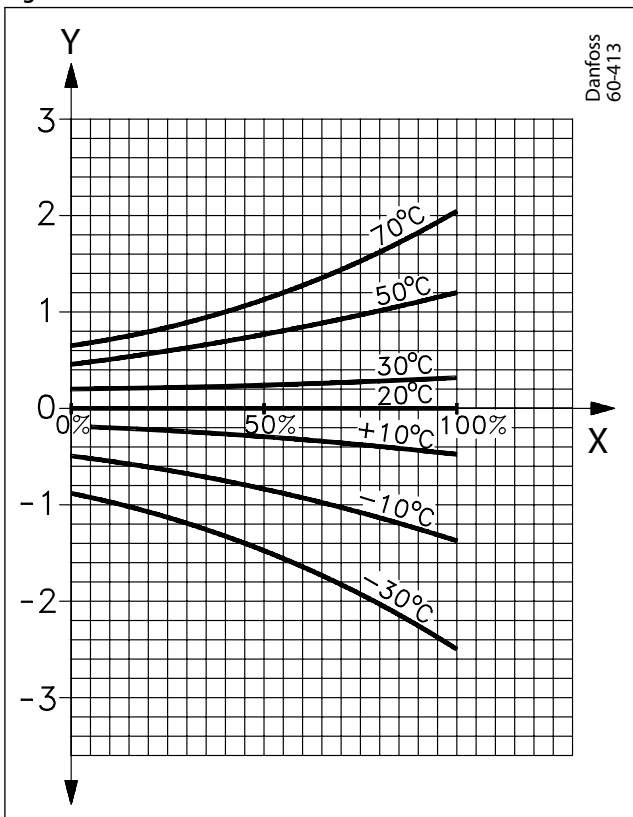


Table 4: Type

Type	Regulation range [°C]	Correction factor a for thermostats
CAS 178	20-80	2.5
CAS 180	70-120	2.4
CAS 181	60-150	3.7

Electrical connection

CAS thermostats are fitted with a Pg 13.5 screwed cable entry suitable for cables from 5 – 14 mm.

Figure 15: Electrical connection

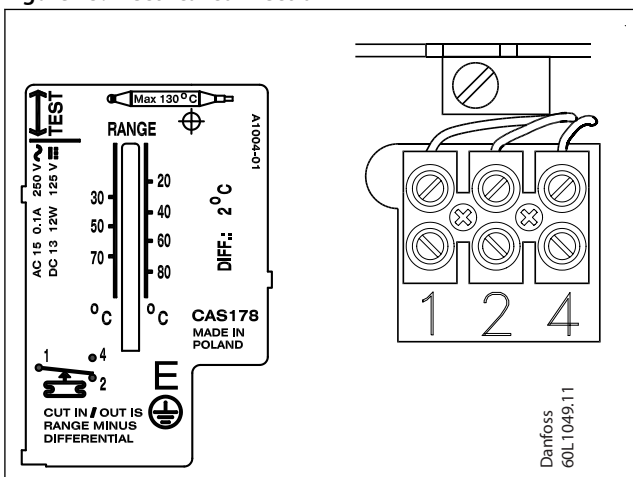
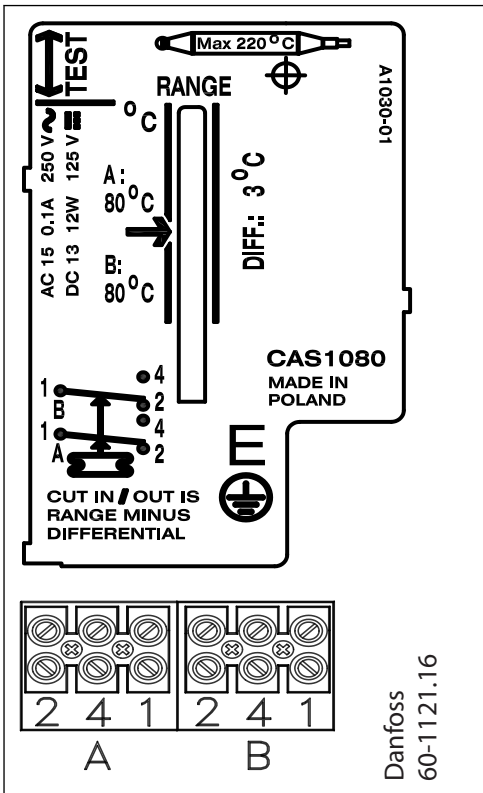


Figure 16: 2-step CAS thermostat, type CAS 1080



Ordering

Pressure switch

Table 5: Standard pressure switches

Type	Setting range p_e	Mechanical differential	Permissible operating pressure	Max test pressure	Min. burst pressure	Pressure connection	Code no.
	[bar]	[bar]	[bar]	[bar]	[bar]		
CAS 133	0 – 3.5	0.1	10	10	40	G ¼	060-315066
CAS 136	0 – 10	0.2	22	22	40	G ¼	060-315166
CAS 137	6 – 18	0.3	27	27	72	G ¼	060-315266
CAS 139	10 – 35	0.6	53	53	100	G ¼	060-315366

Table 6: Pressure switches for high pressure and strongly pulsating media

Type	Setting range p_e	Mechanical differential	Permissible operating pressure	Max test pressure	Min. burst pressure	Pressure connection	Code no.
	[bar]	[bar]	[bar]	[bar]	[bar]		
CAS 143	1 – 10	0.2 – 0.6	120	180	240	G ¼	060-316066
CAS 145	4 – 40	0.8 – 2.4	120	180	240	G ¼	060-316166
CAS 147	6 – 60	1 – 3	120	180	240	G ¼	060-316266

Table 7: Differential pressure switch

Type	Setting range p_e	Mechanical differential	Permissible operating pressure	Max test pressure	Min. burst pressure	Pressure connection	Code no.
	[bar]	[bar]	[bar]	[bar]	[bar]		
CAS 155	0.2 – 2.5	0.1	0 – 8	22	42	2 × G ¼	060-313066

Thermostat

Table 8: Thermostat, type CAS 178 – CAS 181

Type	Setting range	Mechanical differential adjustable / fixed	Max. sensor temperature	Suitable sensor length (see also "Accessories")				Capillary tube length	Code no.
	[°C]	[°C]	[°C]	[mm]				[m]	
CAS 178	20 – 80	2.0	130	65	75	110	160	2	060L315166
CAS 180	70 – 120	2.0	220	65	75	110	160	2	060L315366
CAS 181	60 – 150	2.0	250	65	75	110	160	2	060L315566

Table 9: 2-step thermostat, type CAS 1080

Type	Factory setting		Mechanical differential [°C]	Max. temperature [°C]	Insert sensor length [mm]	Code no.
	Step 1 [°C]	Step 2 [°C]				
CAS 1080	80	80	2.0	220	200	060L502066

Enclosure

IP67 acc. to EN 60529. The thermostat housing is enamelled pressure die cast aluminium (GD-AISI 12). The cover is fastened by four screws which are anchored to prevent loss. The enclosure can be sealed with fuse wire.

Identification

The type designation and code no. of the unit is stamped in the side of the housing.

Accessories

Pressure switch

Table 10: Accessories

Image	Part	Description	Qty.	Code no.
	Connector with nipple	Pipe thread ISO 228-1, G 3/8 connector, nipple and AL washer (10 mm ext. 8 mm int. diam) for solering onto steel or copper tubing, steel span of jaws 22	5	017-436866
	Connector with nipple	G 3/8 connector, nipple and washer (10 mm ext./ 6.5 mm int. diam.) for welding, steel span of jaws 22	1	017-422966
 Danfoss 17-9051	Reducer	Pipe thread ISO 228-1, G 3/8 × 7/16 - 20 UNF reducer, washer, brass span of jaws 22	5	017-420566
 Danfoss 60-9025	Adaptor	Pipe thread ISO 228-1, G 3/8 × 1/8 - 27 NPT with copper washer brass span of jaws 22	1	060-333466
 Danfoss 60-9026	Adaptor	Pipe thread ISO 228-1, G 3/8 A × 1/4 - 18 NPT with copper washer brass span of jaws 22	1	060-333566
 Danfoss 60-9024	Adaptor	Pipe thread ISO 228-1, G 3/8 A × 1/4 - 18 NPT with copper washer brass span of jaws 22	1	060-333666
 Danfoss 17-9058	Adaptor	7/16 - 20UNF × R 3/8 (ISO 7-1) brass, span of jaws 19	1	060-324066
	Nipple	G 1/4 A × G 3/8 A		060-333266
		G 1/4 A × ext. M10 x 1 with washer		060-333866
 Danfoss 60-9030	Damping coil	Pipe thread ISO 228-1, damping coil with G 3/8 connector and 1.5 m copper capillary tube. Standard washers are supplied.	1	060-104766
 Danfoss 60-9023	Armoured damping coil	Pipe thread ISO 228-1, damping coil with G 3/8 connector and 1 m copper capillary tube. Standard washers are supplied.	1	060-333366

Thermostat

Table 11: Sensor pockets for thermostats

Brass sensor pocket			Steel 18/8 sensor pocket		
A [mm]	Thread B	Code no.	A [mm]	Thread B	Code no.
65	½ NPT	060L326566	—	—	—
75	½ NPT	060L326466	75	G ½ A	060L326766
75	G ½ A	060L326266	—	—	—
75	G ¾ A	060L326666	—	—	—
75	G ½ A (ISO 228/1)	060L328166	—	—	—
110	½ NPT	060L328066	110	G ½ A	060L326866

Pressure switch and Thermostat Type CAS

Brass sensor pocket			Steel 18/8 sensor pocket		
A [mm]	Thread B	Code no.	A [mm]	Thread B	Code no.
110	G ½ A	060L327166	110	½ NPT	060L327066
110	G ½ A (ISO 228/1)	060L340666	—	—	—
110	G ¾ A (ISO 228/1)	060L340366	—	—	—
160	G ½ A	060L326366	160	G ½ A	060L326966
200	G ½ A	060L320666	—	—	—
200	G ½ A (ISO 228/1)	060L340866	—	—	—
200	G ¾ A (ISO 228/1)	060L340266	—	—	—
250	G ½ A	060L325466	—	—	—
330	G ½ A	060L325566	—	—	—

NOTE:

All sensor pockets are supplied without gland nut, gaskets and washes.

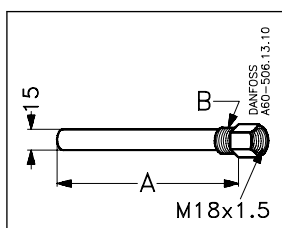


Table 12: Other Accessories

Other Accessories	Description	Qty./unit	Code no.
Clamping band	For CAS temperature controls with remote sensor (L = 392 mm).	10	017-420466
Heat conductive compound (Tube with 4.5 cm ³)	For CAS with sensor fitted in a sensor pocket. For filling sensor pocket to improve heat transfer between pocket and sensor. Application range for compound: -20 – 150 °C, momentarily up to 220 °C.	1	041E0115

Certificates, declarations, and approvals

The list contains all certificates, declarations, and approvals for this product type. Individual code number may have some or all of these approvals, and certain local approvals may not appear on the list.

Some approvals may change over time. You can check the most current status at danfoss.com or contact your local Danfoss representative if you have any questions.

Certificates, declarations, and approvals

Approvals:

CE-marked in accordance with LVD 2006/95/EC, EN 60947-1, EN-60947-4-1, EN 60947-5-1.

Ship approvals:

- American Bureau of Shipping, ABS (excl. CAS 139)
- Lloyds Register of Shipping, LR (excl. CAS 1080)
- Germanischer Lloyd, GL
- Bureau Veritas, BV
- Det Norske Veritas, DNV
- Registro Italiano Navale, RINA
- Maritime Register of Shipping, RMRS
- Nippon Kaiji Kyokai, NKK

Online support

Danfoss offers a wide range of support along with our products, including digital product information, software, mobile apps, and expert guidance. See the possibilities below.

The Danfoss Product Store



The Danfoss Product Store is your one-stop shop for everything product related—no matter where you are in the world or what area of the cooling industry you work in. Get quick access to essential information like product specs, code numbers, technical documentation, certifications, accessories, and more.

Start browsing at store.danfoss.com.

Find technical documentation



Find the technical documentation you need to get your project up and running. Get direct access to our official collection of data sheets, certificates and declarations, manuals and guides, 3D models and drawings, case stories, brochures, and much more.

Start searching now at www.danfoss.com/en/service-and-support/documentation.

Danfoss Learning



Danfoss Learning is a free online learning platform. It features courses and materials specifically designed to help engineers, installers, service technicians, and wholesalers better understand the products, applications, industry topics, and trends that will help you do your job better.

Create your Danfoss Learning account for free at www.danfoss.com/en/service-and-support/learning.

Get local information and support



Local Danfoss websites are the main sources for help and information about our company and products. Find product availability, get the latest regional news, or connect with a nearby expert—all in your own language.

Find your local Danfoss website here: www.danfoss.com/en/choose-region.

Danfoss A/S

Climate Solutions • danfoss.com • +45 7488 2222

Any information, including, but not limited to information on selection of product, its application or use, product design, weight, dimensions, capacity or any other technical data in product manuals, catalogues descriptions, advertisements, etc. and whether made available in writing, orally, electronically, online or via download, shall be considered informative, and is only binding if and to the extent, explicit reference is made in a quotation or order confirmation. Danfoss cannot accept any responsibility for possible errors in catalogues, brochures, videos and other material. Danfoss reserves the right to alter its products without notice. This also applies to products ordered but not delivered provided that such alterations can be made without changes to form, fit or function of the product.

All trademarks in this material are property of Danfoss A/S or Danfoss group companies. Danfoss and the Danfoss logo are trademarks of Danfoss A/S. All rights reserved.