

3006102070

SON-16O

Combined Audio Visual 24VDC 100 DB

Also available in other colors:

- ✓ 3006102067SON-16B Combined audible/visual 24VDC 100dB blue
- ✓ 3006102068SON-16G Combined audible/visual 24VDC 100dB green
- ✓ 3006102069SON-16K Combined audible/visual 24VDC 100dB clear
- ✓ 3006102071SON-16R Combined audible/visual 24VDC 100dB red

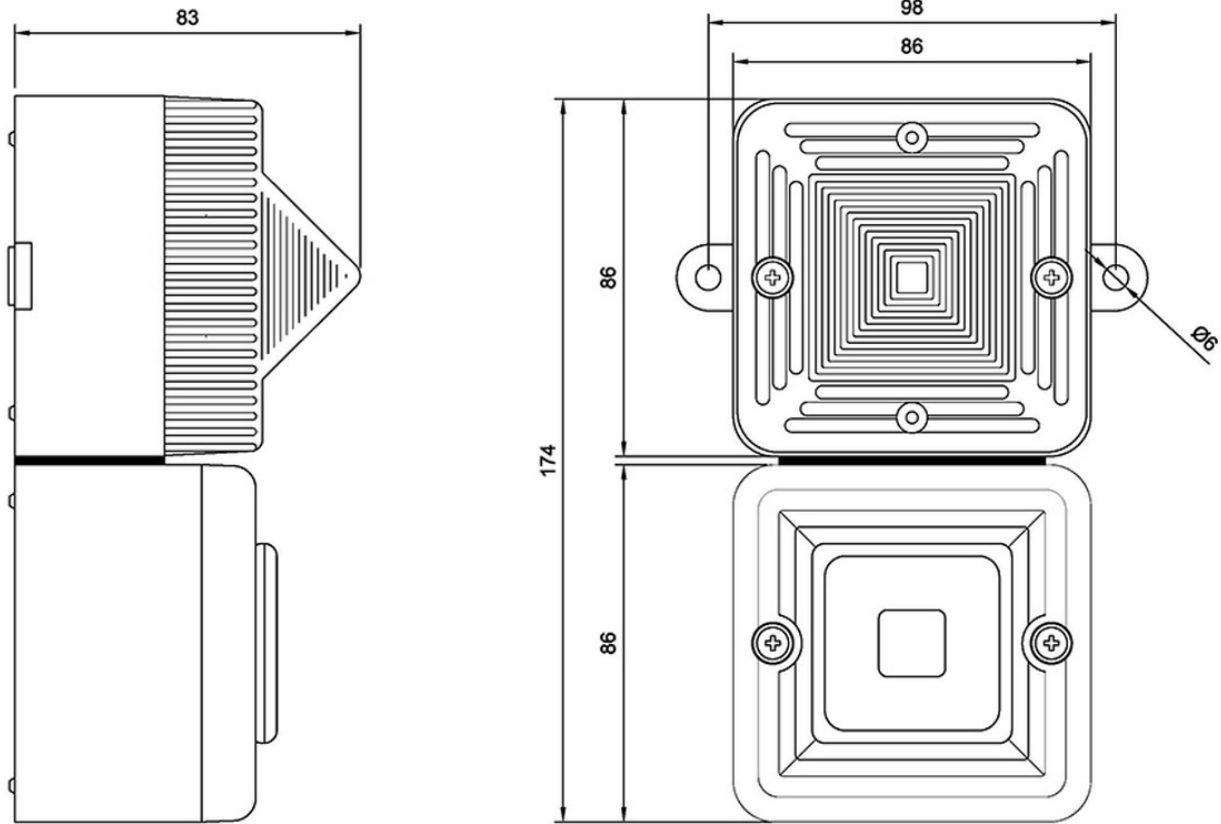
 IP66

Description

SON-16 is a compact 100dB(A) alarm sounder combined with a 5 Joule Xenon strobe beacon. The IP66 housing is ideal for all general signalling applications including fire, security and process control.

- ✓ High sound output
- ✓ Lens Colour: Orange
- ✓ High flash energy
- ✓ Low current consumption
- ✓ 10 Alarm tones including bell sound
- ✓ Automatic synchronisation
- ✓ 2 stage of alarm
- ✓ Complies with European norms for fire alarm installations
- ✓ Small and compact housing

Technical Dimensions



Specifications

GENERAL

Sounder Voltage Range	10-30Vdc
Sounder Current mA	25mA (current at nominal voltage on Tone 2)
Sounder Maximum Output	100 dB(A) @ 1 meter
Sounder Nominal Output	99dB(A) @ 1m +/- 3dB - Tone 1
No. of Tones	10
No. of Stages	2
Volume control	On board potentiometer
Sounder Effective Range	30m @ 1KHz
Beacon Voltage Range	20-28Vdc
Beacon Current mA	250mA
Beacon Energy	5 Joules (5Ws)
Beacon Flash Rate	1Hz (60 fpm)
Beacon Peak Candela	86,953 cd
Ingress Protection	IP66
Housing material	High impact UL94 V0 & 5VA FR ABS
Housing Colour	Red (RAL3000)
Cable Entries	4 x M20 clearance gland knockouts in side & back
Terminals	0.5 to 1.5mm ² cables
Operating temperature	-25 to +55C
Weight	0,50kg

ORDER NUMBER	DESCRIPTION
3006102070	SON-16O Combined audible/visual 24VDC 100dB orange
3006102067	SON-16B Combined audible/visual 24VDC 100dB blue
3006102068	SON-16G Combined audible/visual 24VDC 100dB green
3006102069	SON-16K Combined audible/visual 24VDC 100dB clear
3006102071	SON-16R Combined audible/visual 24VDC 100dB red
ACCESSORIES	
9021903001	Spare Lens for SON-16, Green