

# SMALL LOCAL INTERFACE MODULE S-LIM

## Description

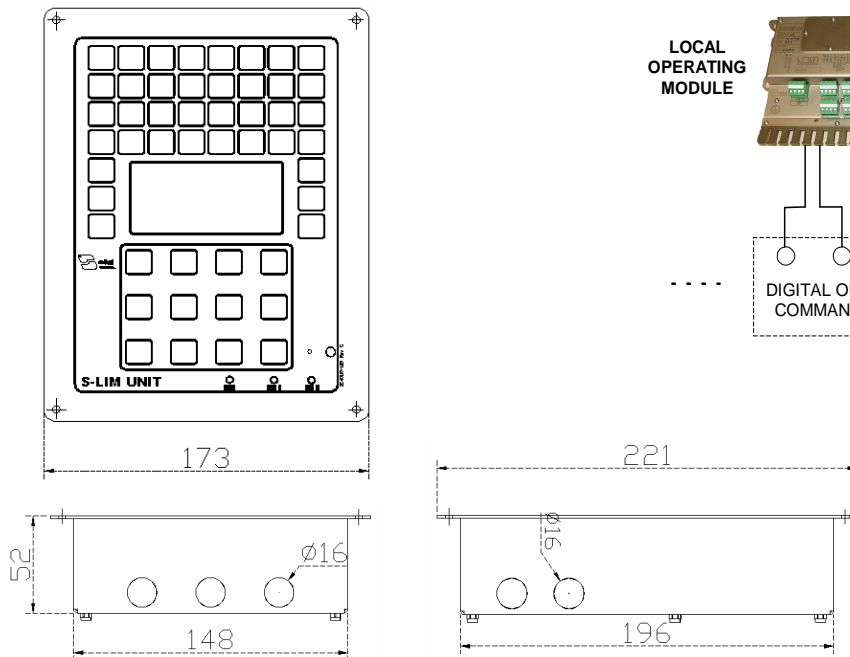
The local interface panel, S-LIM, is a data visualization local unit, part of SEDNI's DIAMAR® Automation System.

The S-LIM is prepared to be connected with LOM modules and work as a local module panel interface, or it is used as an alarm repeater.

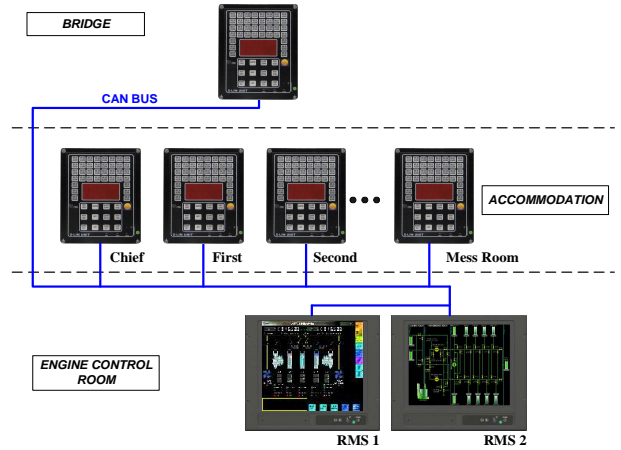
This module is provided with redundant can bus lines to ensure a safer and more reliable communication.

The panel is designed to access in a comfortable and intuitive way to machinery information. Its 12 multifunction keys allow a high level of adaptation depending on the different projects.

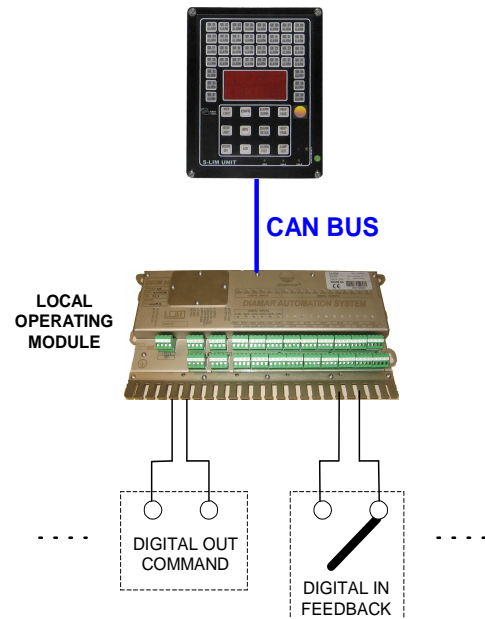
S-LIM is prepared to work in the hardest environmental conditions, complying with the rules of the main Class Societies as: DNV, BV, GL, LR, ABS, RINA...



S-LIM AS WATCH-CALLING REPEATER

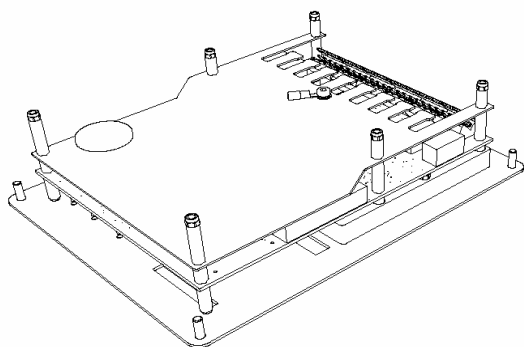
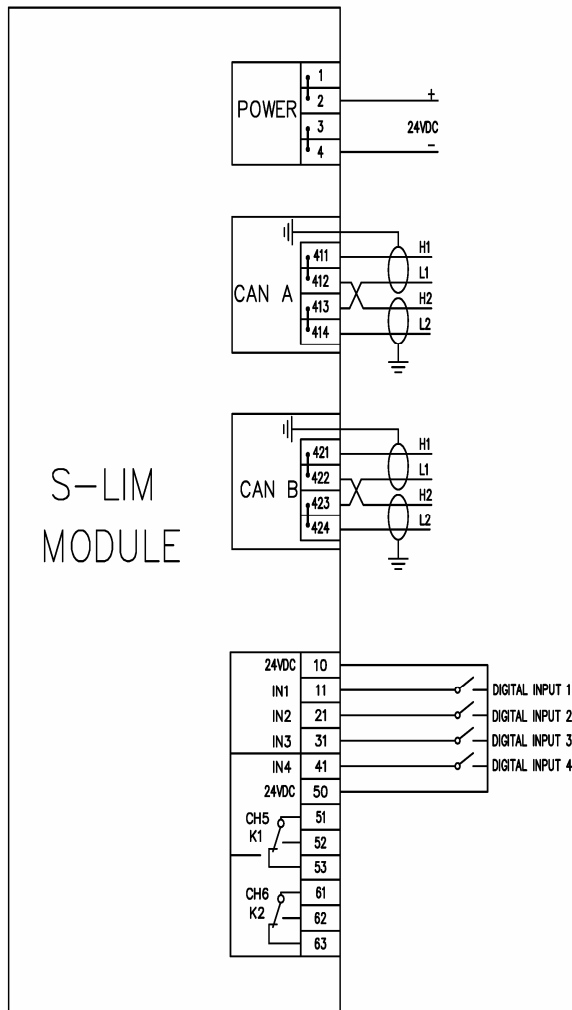


S-LIM AS LOCAL MODULE  
PANEL INTERFACE



\\Serverch\Auto\Catalogos\Datasheet DIAMAR\Datasheet en Ingles\CAT:40110-006-F-(En)\Datasheet S-LIM (28/01/2009)

# Connection Drawing



# Specification

- ✓ 4 digital inputs.
- ✓ 2 digital outputs.
- ✓ Dot Matrix Screen.
- ✓ 3x4 keypad.
- ✓ Dedicated keyboard with back-light.
- ✓ Integrated sensor for temperature monitoring in PCB.
- ✓ Voltage monitoring in microprocessor.
- ✓ Suitable for direct mounting in engine room units (in cabin or console). Possibility to be mounted on engines, etc... (4G).
- ✓ Prepared to be installed directly in the Main Switch Board and starters.
- ✓ Galvanic Isolation between power, process and inputs/outputs.
- ✓ Automatic dimmer control (LDR).
- ✓ Sensor excitation from module.
- ✓ Power supply: 18 – 36 VDC
- ✓ Max. Power consumption: 12 W
- ✓ Working temperature: -25°C/+70°C
- ✓ Storage temperature: -40°C/+80°C
- ✓ Relative Humidity: 95%
- ✓ 2 CAN BUS lines.
- ✓ Easy assembly with screws.
- ✓ Size: 221 x 173 x 52 mm
- ✓ Weight: 1,35 Kg.

\\Serverch\Auto\Catálogos\Datasheet DIAMAR\Datasheet en Inglés\CAT40110-006-F-(Esp)\Datasheet S-LIM (28/01/2009)