

3006200029

VSP-213M-L

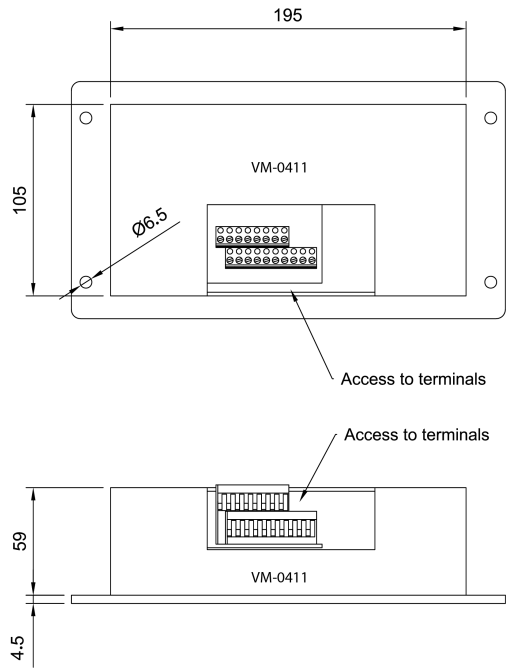
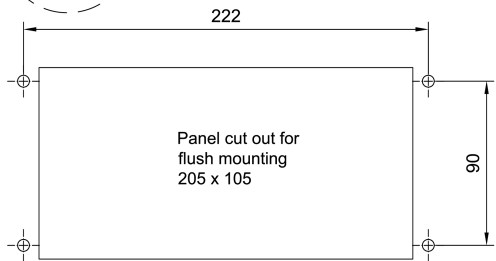
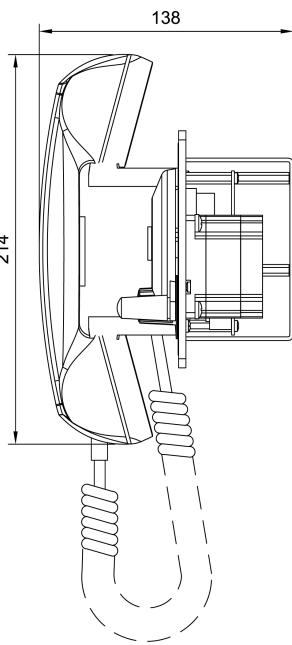
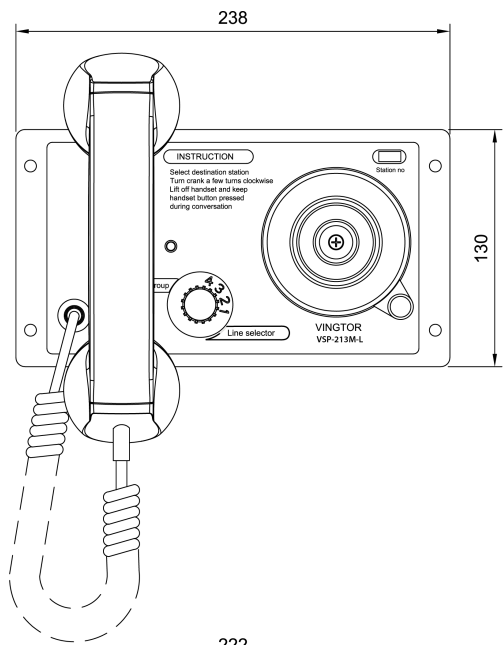
Main Station - Batteryless Telephone System - 20-Way



Description

- ✓ 20 extension system
- ✓ 2 positions group selector switch
- ✓ 10 extension line selector switch
- ✓ LED call indication in front
- ✓ Flush mounted
- ✓ Wall mounting with corresponding metal cabinet type MBOKS-G
- ✓ Desk mounting with corresponding wooden cabinet type VSPC-OAK
- ✓ Suitable for installation in accommodation and control rooms

Technical Dimensions



Note: VM-0411 Protection Cover is an optional accessory

Specifications

GENERAL

Connections	Screw terminals
Color	Black
IP rating	IP-44
Dimensions	238 x 130 x 77 mm
Panel cut-out	205 x 105 mm
Weight	1.30 kg
Operating temperature range	-25°C to 55°C

Accessories



MBOKS-G

VSP Batteryless Telephone System



VSPC-OAK

Wooden OAK Cabinet



VM-0411

Protection cover for VSP-stations



CD-4

Plugbox Waterproof



IRR-VSPM-24

Relay box 24V DC for VSP M



IRR-VSPM-220

Relay Box 220V AC for 20 Way system



VSP-36-PEL-A

Headset with boom mic, headband, and 10m cable



VSP-36-PELP-A

Headset with boom mic, headband, and 10m cable



VSP-36-PEL-A/20

Headset with boom mic,
headband, and 20m cable



VSP-36-PELP-A/20

Headset with boom mic,
headband, and 20m cable