

1020600992

**IRR-3**

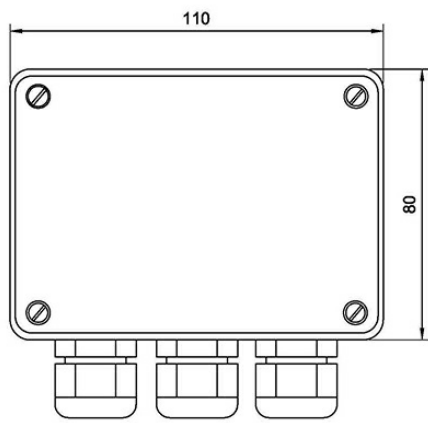
Relay Box

 IP66

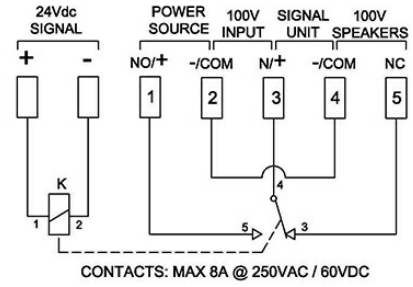
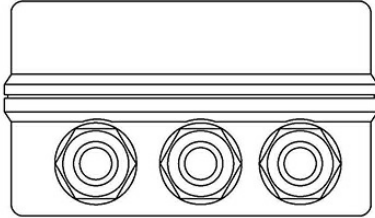
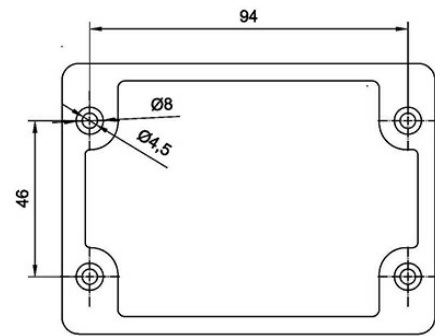
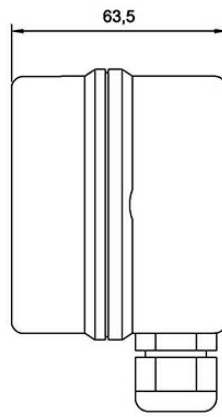
## Description

- ✓ Multi-purpose relay unit rated for 24VDC or 220V AC visible and/or audible signal units
- ✓ 24VDC operation voltage
- ✓ Local mute function for SPA Public Address System
- ✓ Wall mounting
- ✓ Suitable for installation in noisy areas

## Technical Dimensions



3X PG-11



# Specifications

## GENERAL

Connections	Screw terminals
Switching current (max)	8A
Material	Flame retardant blend plastic housing
IP class	IP-66
Dimensions (mm)	80W x 110H x 63D
Cable inlet	3x PG-11
Weight	0.35 kg