

2131000206

## VLS-15TF

Horn Loudspeaker 15W 100V with Fuse



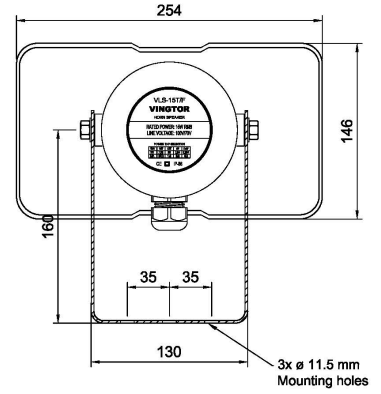
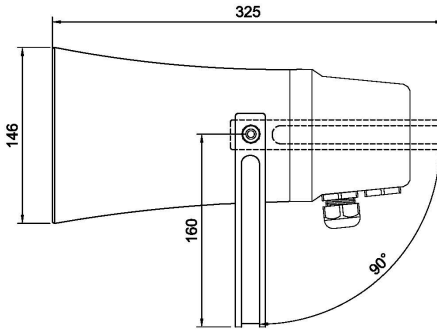
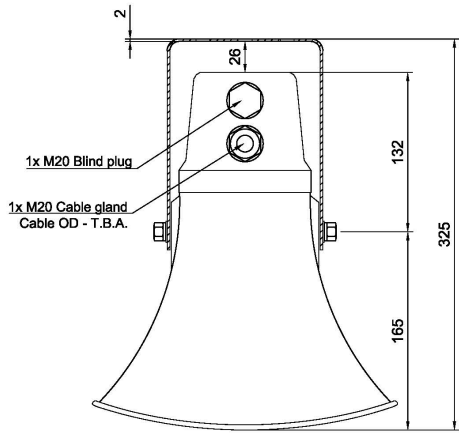
- ✓ Robust and versatile horn speaker
- ✓ Suitable for outdoor installation in harsh environments
- ✓ Prepared for loop in/ loop out connection
- ✓ 1x M20 gland and 1x blind plug included

 IP66

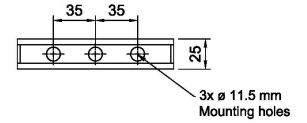
## Description

- ✓ General purpose 15W horn loudspeaker with transformer and fuse
- ✓ Especially suitable for use in industrial sites or tough environments
- ✓ To be used together with 100V line amplifier
- ✓ With 4 different power tapings: 2.5W, 5W, 10W and 15W

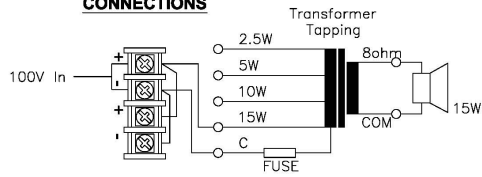
## Technical Dimensions



**Rear View**



**CONNECTIONS**



**TECHNICAL DATA**

|               |  |
|---------------|--|
| Colour :      | Grey (RAL 7035)  |
| IP-Rating :   | IP-66  |
| Material :    | Speaker - ABS<br>Mounting bracket - Stainless Steel (14SWG)2mm |
| Line Voltage: | 100V   |
| Rated Power : | 15W, 10W, 5W, 2.5W   |
| Weight :      | 1.9kg  |

# Specifications

## GENERAL

|                           |   |
|---------------------------|---|
| Dimension (mm)            | 253W x 152H x 309D                      |
| Material, finish          | ABS, grey                               |
| Mounting                  | Bracket, stainless steel grade 304      |
| Connection                | 1x M20 gland and 1x blind plug included |
| Weight                    | 1,85 kg                                 |
| Rated power               | 15W rms                                 |
| SPL at 1kHz               | 106dB/1W/1m -<br>118dB/15W/1 m          |
| Effective frequency range | 275 - 7000 Hz                           |
| Dispersion angle          | 60° x 90° (V x H)                       |
| IP rating                 | IP66                                    |
| Temperature range         | -40 °C - +55 °C                         |
| Power tapings             | 15/ 10/ 5/ 2,5 W                        |
| Impedance                 | 670/ 1k/ 2k/ 4kΩ                        |
| Environmental Condition   | Exposed                                 |

## OTHER

|            |   |
|------------|---|
| 2131000207 | Additional M20 cable gland for VLS-15(TF)/VLS-30(TF). Not included and not mounted. |
|------------|---|

## Accessories



## VLS-GLAND

Cable gland for VLS-15/30