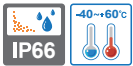


SEA series

Ø150mm Explosion Proof Warning/ Signal Lights



SEA LR



SEA



Flameproof warning/ signal lights applied in areas where combustible substances such as oil are carried in bulk on a vessel.



Common Specifications(SEALR/ SEAL/ SEAS/ SEA)

- Large explosion proof warning/ signal lights with excellent visibility for long distance
- A variety of light source selections from bulb, LED, and xenon lamp
- Aluminum housing provides excellent durability
- Fully enclosed structure with protection rating of IP66
- Integrated housing and terminal box model
- Housing standard color : MUNSELL No. 7.5BG 7/2
- Cable entry : 1/2" NPT
- Materials : Lens-Tempered glass, Inner lens-PC, Housing-Al, Protection cage-STSS 316L, Reflector for LED type-PC/ Reflector for bulb type-Heat resistant ABS
- Certificates : IECEx, ATEX, NEPSI, ABS, CCS, KR
- Explosive protection rating :
 - IECEx - Ex d IIC T6 Gb, IP66
 - ATEX - Ex II2G Ex d IIC T6, IP66
 - NEPSI, KIMM, KOSHA - Ex d IIC T6, IP66
- Ambient operating temperature : $-40^{\circ}\text{C} \leq T_{\text{amb}} \leq +60^{\circ}\text{C}$



SEA LR LED Revolving Warning Light

- Excellent omni-directional visibility with LED light collecting system and special multifaceted reflector
- Revolving speed : 120-140RPM

Model number	Voltage	Current	Certificates	Weight	Color
SEA LR	DC12V	0.183A		5.33kg	<ul style="list-style-type: none"> ● R-Red ● A-Amber ● G-Green ● B-Blue
	DC24V	0.127A		5.33kg	
	AC110V	0.035A		5.74kg	
	AC220V	0.017A		5.74kg	



SEA LED Steady/ Flashing Signal Light

- Long-lasting high intensity LED light source
- Suitable for applications where bulb replacement is difficult
- Built in switch for steady/flashing selection
- Flashing rate : 60-80 flashes/min

Model number	Voltage	Current	Certificates	Weight	Color
SEA	DC12V-24V	Max.0.185A		4.87kg	<ul style="list-style-type: none"> ● R-Red ● A-Amber ● G-Green ● B-Blue
	AC110V	0.044A		5.25kg	
	AC220V	0.022A		5.25kg	



Customization

- Explosion proof cable gland attached type available (Standard type does not come with explosion proof cable gland)
- Customized 2 way cable entries
- Customized cable entry (3/4" NPT, M20×1.5, M25×1.5) available
- ATEX certified type
- IECEx certified type

SEA series

Ø150mm Explosion Proof Warning/ Signal Lights



SEAS



SEA

SEAS Xenon Lamp Strobe Signal Light

- Lamp connector fastening structure allows for convenient lamp replacement
- High efficiency strobe light offers excellent visibility for long distances
- Flashing rate : 60-80 flashes/min

Model number	Voltage	Current	Bulb			Certificates	Weight	Color
			Spec	Standard	Parts no			
SEAS	DC12V -24V	Max. 1.001A	200V -550V	EUB0641 -1A(G) U Type	48		5.39kg	<ul style="list-style-type: none"> • R-Red • A-Amber • G-Green • B-Blue
	AC110V	0.135A					5.35kg	
	AC220V	0.105A					5.35kg	

SEA Bulb Revolving Warning Light

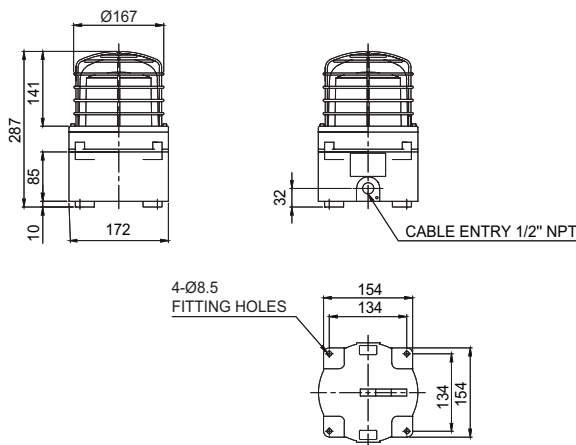
- Excellent diffusion effect with special multifaceted reflector
- Revolving speed : 120-140RPM

Model number	Voltage	Current	Bulb			Certificates	Weight	Color
			Spec	Standard	Parts no			
SEA	DC12V	1.545A	12V15W	G23 15S	17		5.36kg	<ul style="list-style-type: none"> • R-Red • A-Amber • G-Green • B-Blue
	DC24V	0.766A	24V15W	G23 15S	18		5.36kg	
	AC110V	0.204A	12V15W	G23 15S	17		5.75kg	
	AC220V	0.102A	12V15W	G23 15S	17		5.75kg	

Technical Diagram

(Units : mm)

SEALR/ SEAL/ SEAS/ SEA



Ordering Specification

SEA	-	220	-	R
[Model number]		[Voltage]		[Color]
<ul style="list-style-type: none"> • SEALR • SEAL • SEAS • SEA 		<ul style="list-style-type: none"> • 12-DC12V • 24-DC24V • 12/24-DC12V-24V (SEAL, SEAS only) • 110/220-AC110V-220V 		<ul style="list-style-type: none"> • R-Red • A-Amber • G-Green • B-Blue