

Robust valve control device giving a confidence in reliable performance and outstanding durability under harsh working environments

Features

- ▶ Easy maintenance
- ▶ Precise calibration with simple SPAN and ZERO adjustments
- ▶ Simple conversion to direct acting or reverse acting
- ▶ 1/2 split range available
- ▶ Rugged aluminum housing with corrosion-resistant coating
- ▶ Vibration resistant design
- ▶ Stainless steel gauges standard
- ▶ Restricted pilot valve orifice kit for small actuators included

Options

- ▶ Position transmitter (4-20mA output signal)
- ▶ 2 x SPDT limit switch
- ▶ 2 x P&F proximity sensor NJ2-V3-N
- ▶ Visual dome indicator
- ▶ High temperature

Specifications

	PPR	
	Rotary Type (Cam Feedback)	
	Single	Double
Input Signal	0.2 - 1.0 bar (3 - 15 psi) (Note.1, 2)	
Supply Air Pressure	Max. 7.0 bar (100 psi)	
Standard Stroke	60 - 100° (Note.3)	
Pneumatic Connections	PT(Rc) 1/4 or NPT 1/4	
Ambient Temperature	-20 ~ +70°C (Note. 4)	
Pressure Gauge	Stainless steel	
Output Characteristics	Linear	
Linearity	Within ± 1.0 % F.S	Within ± 1.5 % F.S
Sensitivity	Within ± 0.5 % F.S	
Hysteresis	Within 1.0 % F.S	
Repeatability	Within ± 0.5 % F.S	
Air Consumption	5 LPM (Sup. 1.4 bar)	
Flow Capacity	80 LPM (Sup. 1.4 bar)	
Body Material	Aluminium die-cast	
Weight	2.5 kg	

- Note** : 1) 1/2 split range is available for 3~9 psi input signal or 9~15 psi input signal
 2) Please contact for 6~30 psi input signal
 3) Operating angle can be adjusted to 0~60° or 0~100°
 4) High temperature option : up to +120°C without feedback options
 up to +85°C with feedback options



With Dome Indicator

How to Order

PPR —

Feedback Lever

Pressure Gauge

Pilot Valve Orifice

Position Feedback

Connection Threads

Dome Indicator

Operating Temperature

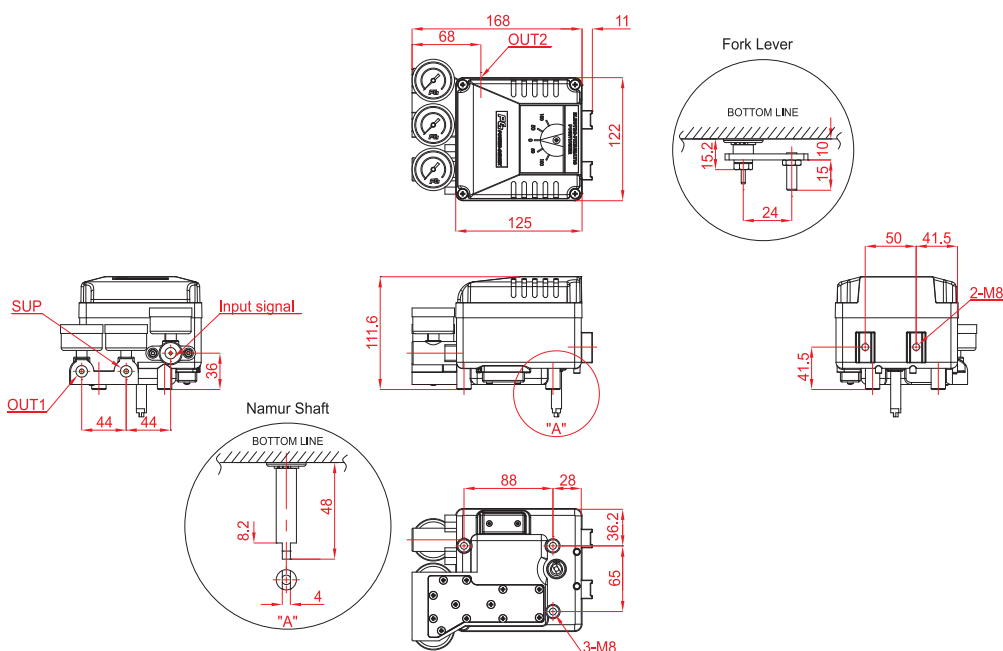
Mounting Bracket

Description	Code
Feedback Shaft :	N : NAMUR shaft (direct mounting) A : Fork lever M6 x 40L B : Fork lever other size on request
Pressure Gauge :	1 : 6 bar (90psi) 2 : 10 bar (150psi)
Pilot Valve Orifice :	S : Standard (Actuator volume over 180cm ³) M : Small orifice (∅ 1.0 or ∅ 0.7) (Actuator volume 90 ~ 180cm ³)
Position Feedback :	N : None (standard) O : Position transmitter (4 ~ 20mA output signal) L : 2 x SPDT limit switch P : 2 x proximity sensor P&F NJ2-V3-N M : O + L Q : O + P

Description	Code
Connection Threads : (pneumatic)	3 : PT(Rc) 1/4 4 : NPT 1/4
Dome Indicaotr :	N : Flat indicator (standard) D : Dome indicator
Operating Temperature :	T : 70°C (standard) H : 120°C (without position feedback option) 85°C (with position feedback option) L : -40°C (without position feedback option)
Mounting Bracket - NAMUR Shaft Type :	N : None R : Multi-size NAMUR bracket for DIN VDI/VE 3845 (130 x 30 x 50 bracket on request)
- Fork Lever Type	F : DHCT bracket 80x30 for fork lever type E : Multi-size NAMUR bracket for Fork lever type (130 x 30 x 50 bracket on request)

Dimensions

A. With Flat Indicator



B. With Dome Indicator

