

1020600943

VSP-223-L

Main Station - Batteryless Telephone System - 12-Way

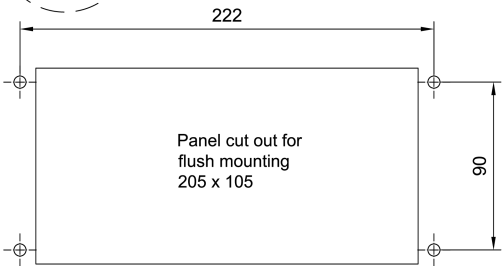
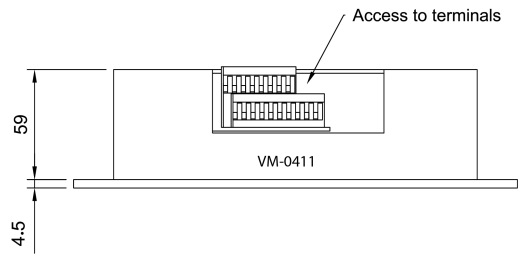
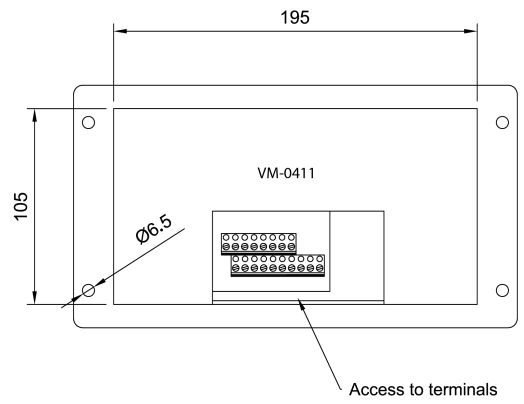
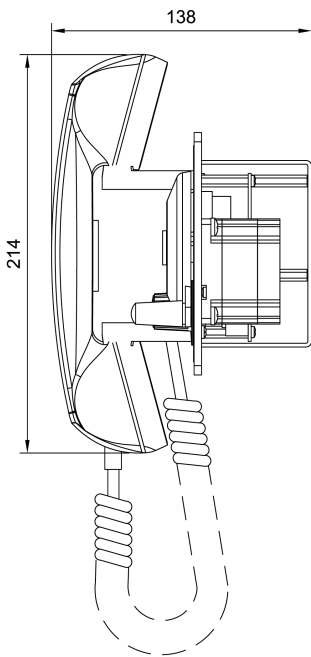
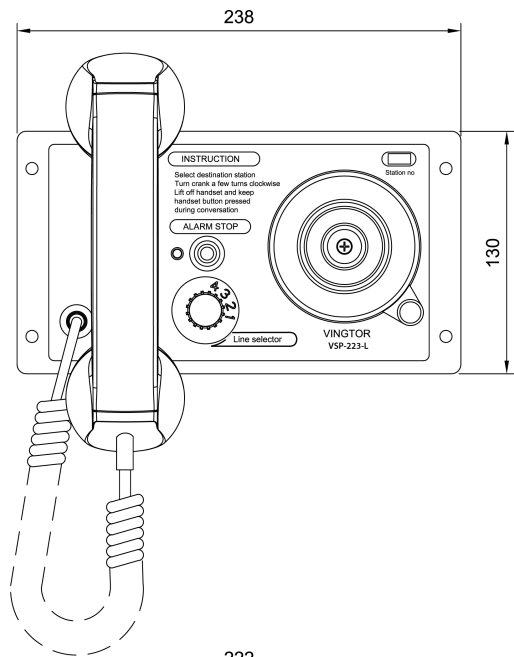


- ✓ 12 extensions selector switch
- ✓ Built-in relay latch timer for activation of external visible or audible 24V DC signal units
- ✓ Alarm stop button
- ✓ Noise compensated microphone
- ✓ Optical LED call indication at front (in addition to audible call signal)
- ✓ Flush mounted
- ✓ Wall mounting with corresponding metal cabinet type MBOKS-G
- ✓ Desk mounting with corresponding wooden cabinet type VSPC-OAK
- ✓ Suitable for installation in control rooms and noisy areas like steering gear, engine- and thrusterrooms, etc

Description

VSP-223-L is a batteryless telephone requiring no external power supply and fulfils the demands for emergency communication between vital positions. The unit is tested and type approved for internal communication for marine vessels.

Technical Dimensions



Note: VM-0411 Protection Cover is an optional accessory

Specifications

GENERAL

Connections	Screw terminals
Color	Black
IP rating	IP-44
Dimensions (WxHxD)	238 x 130 x 77 mm
Panel cut-out	205 x 105 mm
Weight	1.30 kg
Operating temperature range	-25°C to 55°C
Switching Current (max)	8 A

Accessories



VM-0411

Protection cover for VSP-stations



MBOKS-G

VSP Batteryless Telephone System



VSPC-OAK

Wooden OAK Cabinet



VSP-36-PEL-A

Headset with boom mic, headband, and 10m cable



VSP-36-PEL-A/20

Headset with boom mic, headband, and 20m cable



CD-4

Plugbox Waterproof



VSP-36-PELP-A

Headset with boom mic, headband, and 10m cable



VSP-36-PELP-A/20

Headset with boom mic, headband, and 20m cable



VSP-36-PELP-A/25

Headset with boom mic, headband, and 25m cable



IRR-24

Relay Box



IRR-VSP-220

Relay box 220V AC for VSP-12 way