

1007034210

VMP-619

Desk/Wall Master Station with Handset



Description

Combined wall and desk master station with full access to all features in the Vingtor-Stentofon ACM exchange

- ✓ Easy operation via ten direct access keys
- ✓ Superb audio quality
- ✓ Handset for confidential conversation
- ✓ Advanced supervision functions

This combined desktop and wall mount master station has full access to all features of the Vingtor-Stentofon ACM exchange of which many are developed specifically to provide critical communications such as group call and call priority.

The station includes 10 programmable single-touch keys for quick access to important functions and a handset for confidential conversation.

The station provides high quality hands-free conversation, utilizing Vingtor-Stentofon's superb wideband audio and loud volume. The station uses the conventional 4-wire interface, receiving both power and audio in the same cable. To provide maximum availability, the station comes with advanced supervision functions. The station line test will detect whether there are any faults in the network or station electronics. In addition, the station supports tone test where the complete transmission path, including microphone and speaker, is tested. The status of the station is reported to AlphaWeb as well as to 3rd party management systems using SNMP, Syslog or OPC.

Note: For volume-override feature, order [VMP-D619](#) instead

Permanent privacy

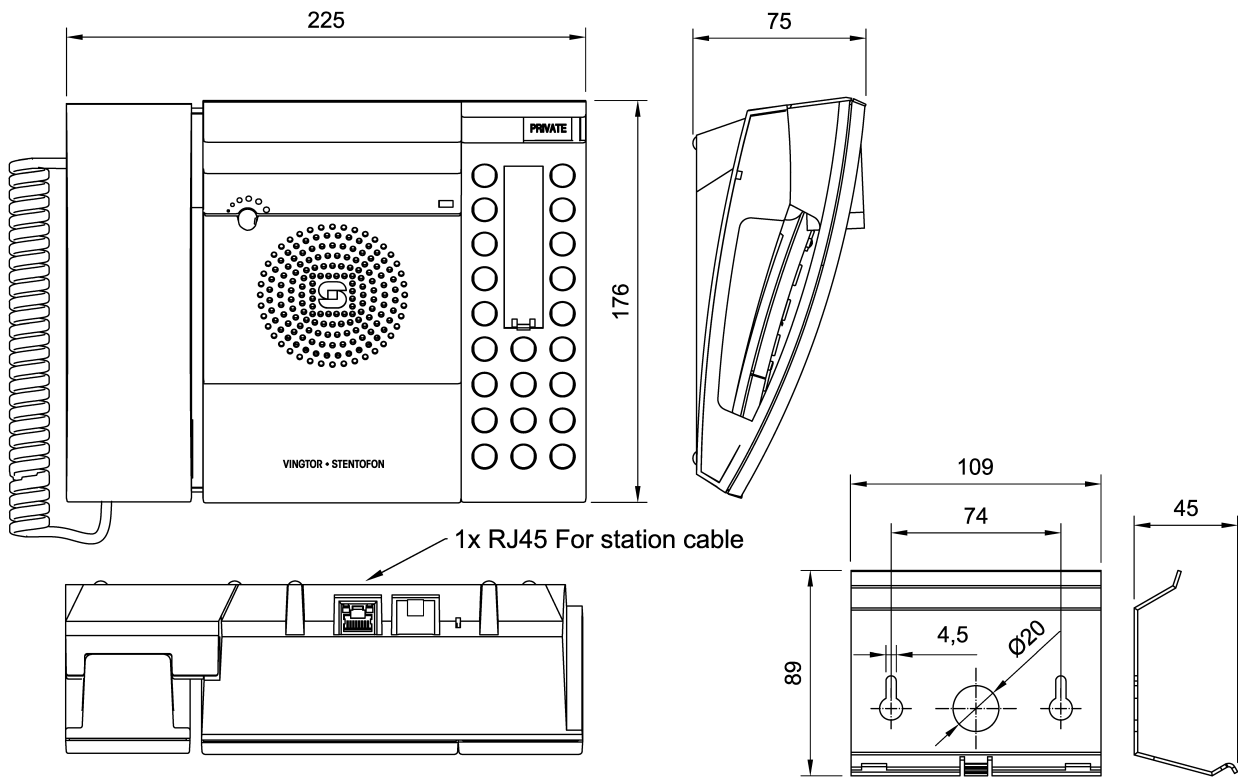
The station should be set in permanent privacy by sliding an internal switch into the private (PRI) position. Then, the station will always ring for incoming calls. This switch is accessible from the rear of the station by prying open a rubber lid, revealing the OPEN and PRI markings through the opening. When the internal switch is set to PRI, the OPEN/PRIVATE slider on the keyboard is overridden such that even if left in the OPEN position, the station will still ring for incoming calls. Hence, the slider should be set to PRIVATE to show the real status of the station.

Handset hook

A hook that is delivered with the station must be inserted into the cradle if it is to be wall-mounted. The hook also secures the handset against dislodgement and vibration. If the hook is not needed, the blanking plug should be inserted instead.

See also: [additional documentation on wiki.zenitel.com](#)

Technical Dimensions



Wall bracket O.no. 1008091100

Specifications

GENERAL

| | |
|--------------------|--|
| Dimensions (WxHxD) | 225 x 175 x 75 mm |
| Weight | 0.670 kg |
| Keypad | Full keypad including 10 DAK keys |
| Mounting | Desktop On wall with bracket |
| Temperature | 0 to +50°C |
| Loudspeaker output | Max. 1W RMS |
| Frequency range | 200 - 10 000 Hz |
| Connectors | RJ45 |
| Wiring | 2 twisted pairs |
| Max cable distance | 4.0 km (18 AWG - 0.9 mm), 3.4 km (20 AWG - 0.8 mm), 2.0 km (22 AWG - 0.6 mm), 1.4 km (24 AWG - 0.5 mm) |
| Power | Powered from exchange |
| Call indication | Red call LED |
| Supervision | Line supervision, Tone test (manual and automatic), Station status in AlphaWeb |
| Compliance | CE and FCC Part 15 |
| IP Rating | IP-42 |

Accessories



KB171

Wall Socket



Wall Bracket for
Desktop