

FL-WS-S Surface Ceiling Light

IP56



Application

Engine room, hold, laundry, store
Chemical processing and industrial areas

Protection degree IP56

Materials

Body : Electro zinc coated steel sheet deep drawn
Diffuser : Clear polycarbonate
Latch : Stainless steel

Finish

Body : White epoxy powder coat and stove enamelled(Munsell No. N-9.3)

Equipment

Fluorescent lamp : 18/36W
Light sources : T26
Lamp base : G13
Four cable glands 20a~c
(Diameter : Max.16mm cable)

Electrical

AC100~240V, 50/60Hz are available on request
Ballast : Glow, Electronic

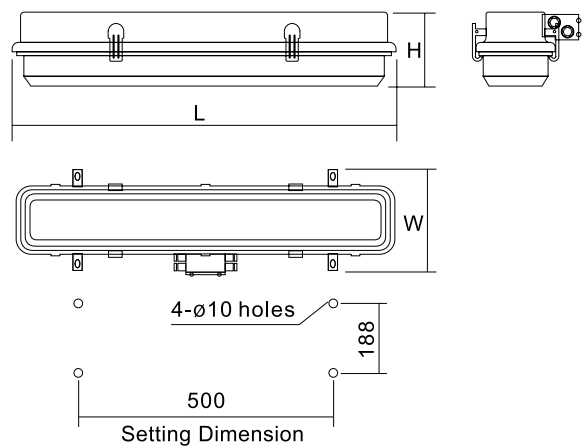


TERMINAL BOX

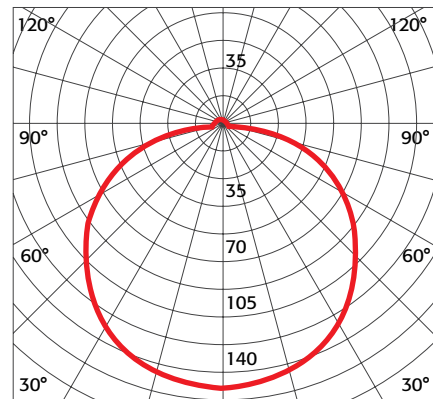


COAMING

■ Technical Drawing



■ Light Distribution Curve [Cd / 1000lm]



Specification

Model No.	Capacity	L(mm)	W(mm)	H(mm)	Weight(Kg)	Remarks
FL120WS-GISWNM	18W X 1	706	220	135	4.43	
FL220WS-GISWNM	18W X 2	706	220	135	5.18	
FL140WS-GISWNM	18W X 1	1312	220	135	6.72	
FL240WS-GISWNM	18W X 2	1312	220	135	7.70	

Option - Emergency DC Lamp - Battery back-up

FL-WS-TH Surface Ceiling Light

IP44



Application

Galley, laundry, store

Protection degree IP44

Materials

Body : Stainless steel deep drawn
Diffuser : Clear polycarbonate

Finish

Body : White epoxy powder coat and stove enamelled(Munsell No. N-9.3)

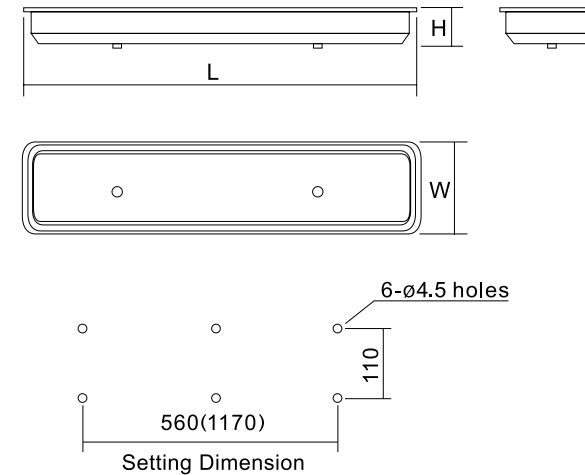
Equipment

Fluorescent lamp : 18/36W
Light sources : T26
Lamp base : G13
Two cable inlet holes
(Diameter : Max.16mm cable)

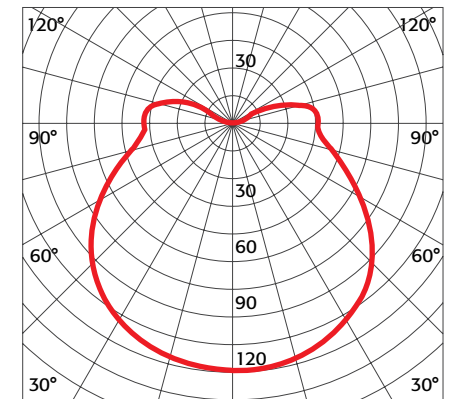
Electrical

AC100~240V, 50/60Hz are available on request
Ballast : Glow, Electronic

■ Technical Drawing



■ Light Distribution Curve [Cd / 1000lm]



Specification

Model No.	Capacity	L(mm)	W(mm)	H(mm)	Weight(Kg)	Remarks
FL220WS-GISTH	18W X 2	704	185	78	3.87	
FL240WS-GISTH	36W X 2	1314	185	78	6.47	

Option - Emergency DC Lamp

INDOOR LIGHT | Watertight Fluorescent Light

INDOOR LIGHT | Watertight Fluorescent Light