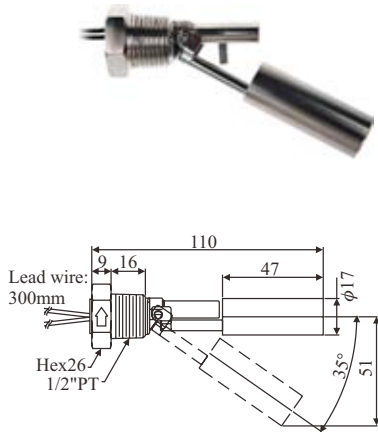
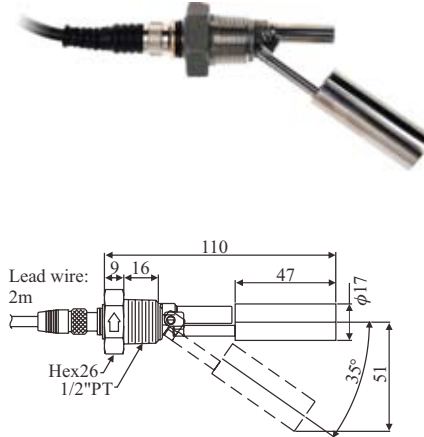


STAINLESS STEEL SWITCHES

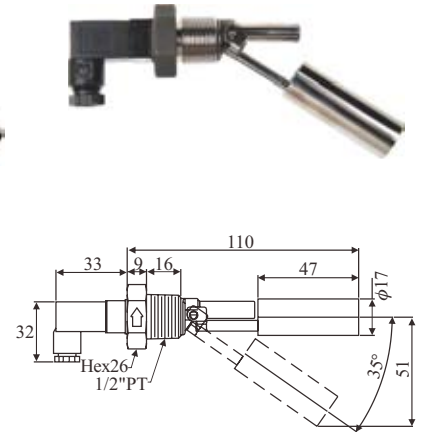
► FD MH50/ 56



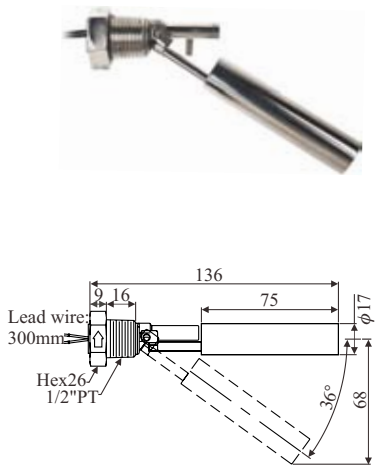
► FD MH50A /56A



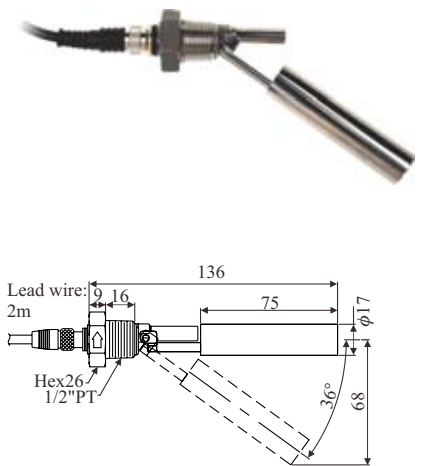
► FD MH50C /56C



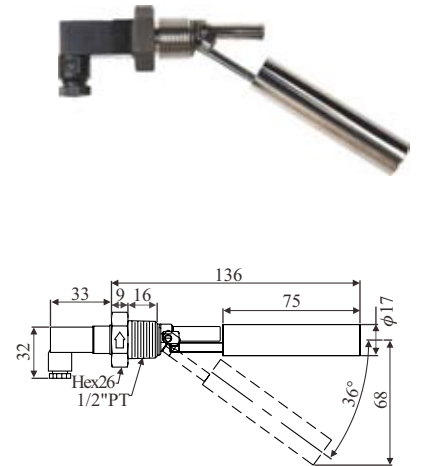
► FD MH60/ 66



► FD MH60A/ 66A



► FD MH60C/ 66C



■ SPECIFICATIONS

Type	Material	Switching Capacity Max.	Switching Voltage Max.	Switching Current Max.	Carry Current Max.	Lead Wire	Max. Pressure	Operating Temp.	Suitable Sp. Gr.
FDMH50/56 FDMH60/66	SUS 304 SUS 316L	50W/SPST	240Vac 200Vdc	0.5A	1A	XLPE or TEFLON	5 kg/cm ²	-20~120°C (Max.200°C)	FDMH5:0.92 FDMH6:0.75
FDMH50A/56A FDMH60A/66A	SUS 304 SUS 316L	50W/SPST	240Vac 200Vdc	0.5A	1A	XLPE or TEFLON	5 kg/cm ²	80°C	FDMH5:0.92 FDMH6:0.75
FDMH50C/56C FDMH60C/66C	SUS 304 SUS 316L	50W/SPST	240Vac 200Vdc	0.5A	1A	XLPE or TEFLON	5 kg/cm ²	-20~120°C	FDMH5:0.92 FDMH6:0.75

HOW TO ORDER SINGLE SWITCHES

FDMH **5** **0** **A** **B** **R** (**0** **5** **F**)

Type _____

5: ϕ 17x47L (SG: 0.92) 6: ϕ 17x75L (SG: 0.75)

Material _____

0: SUS304 6: SUS316L

Connection _____

- : without A: M12 C: DIN

- ※ Connector M12 whose standard wire length is 2M
- ※ Connector M12 whose wire is endurable with oil and made of PVC / PUR, Max.Temp: 80°C

Connecting Type _____

BR:1/2"PF BQ: 1/2"PT BU: 1/2"NPT BT: 1/2"BSP

Lead wire Length (Unit=100mm) _____

- 05: 500mm (below 500mm) ※ 500mm per Unit
- 10: 1000mm (501~1000mm) ※ 300mm (Standard length)
- 15: 1500mm (1001~1500mm)
- ⋮

Material of Lead wire _____

- F: SILICON (150°C) AWG24 X ϕ 4
- T: TEFLON (200°C) AWG24
- X: XLPE (125°C) AWG22 (Standard)
- ※ Material of Wetted parts"SUS304" ◦